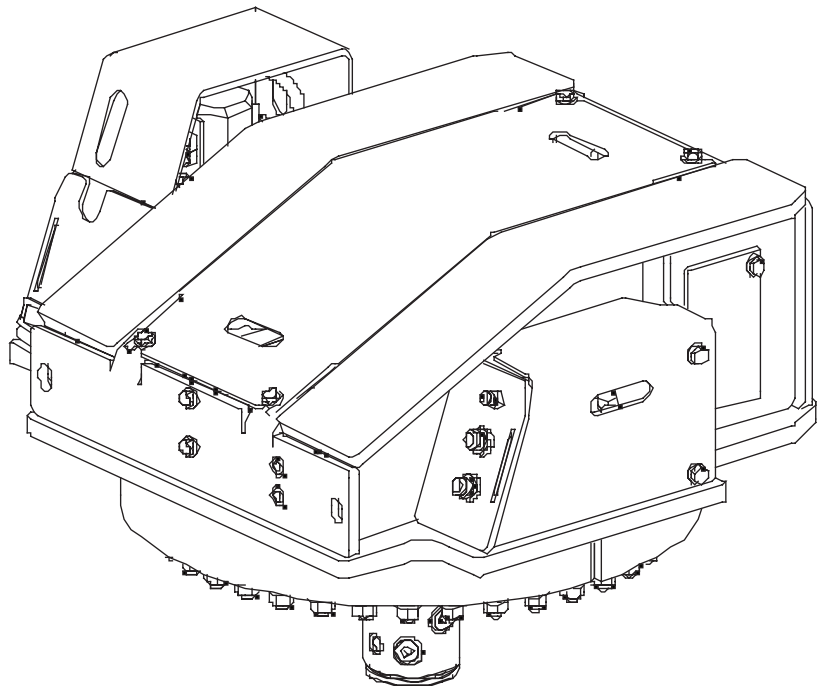
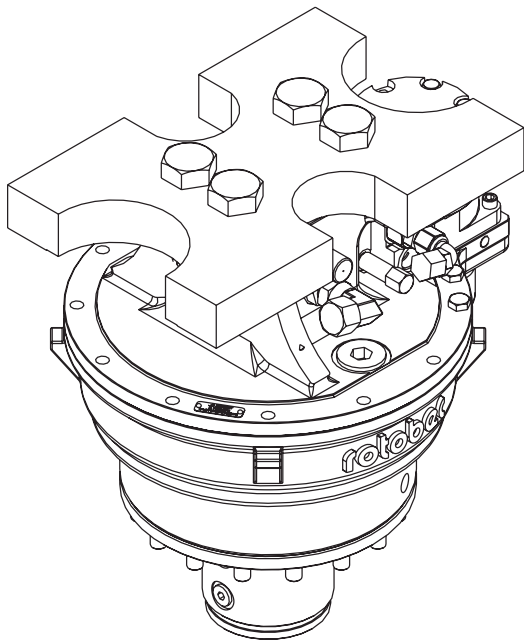




ROTOBEC™

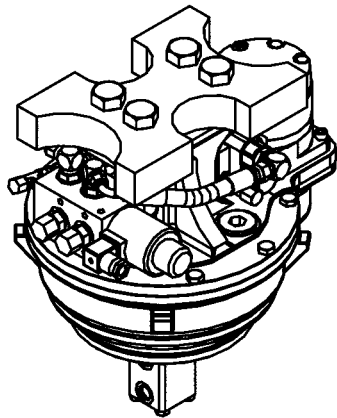
POSITIONED ROTATIONS





Rotator

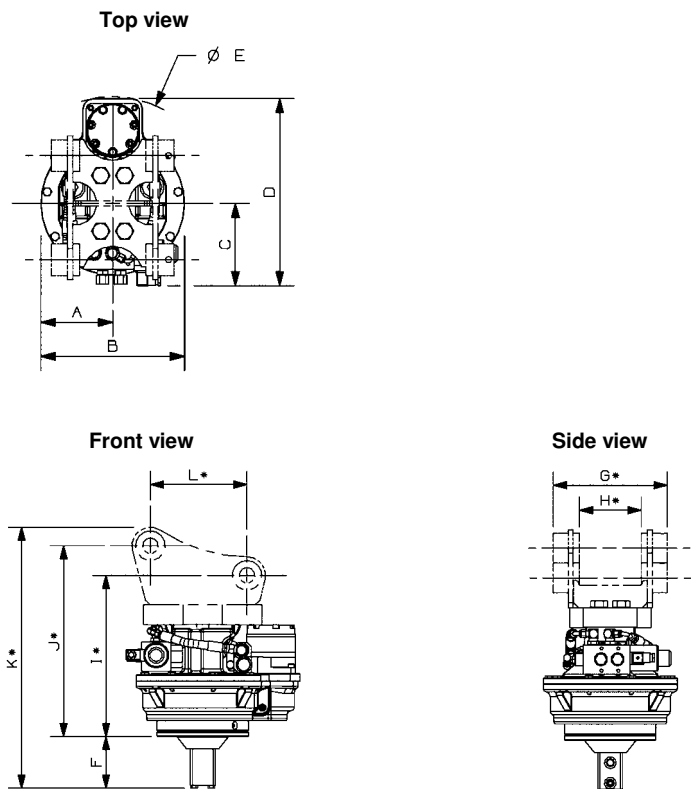
RGP-252-4,5,6



Rotator type	Continuous, sealed
Maximum lift capacity	25000 lb (11340 kg)
Torque at relief pressure	15720 in.lb (1776 Nm) @ 913 psi (63 bars)
Speed at recommended flow	21 rpm
Recommended flow	10 gpm (38 l/min.)
Maximum pressure to motor	4200 psi (290 bars)
Maximum pressure to cylinders	4200 psi (290 bars)
Rotator motor ports	2 x 10 JIC + 1 x 06 JIC
Collector upper ports	2 x 10 JIC
Collector lower ports	4 x 08 ORB
Weight	305 lb (138 kg)

Reference	Dimension
A	6 3/4 in. (171 mm)
B	13 1/2 in. (343 mm)
C	7 3/4 in. (197 mm)
D	17 5/8 in. (448 mm)
E	20 1/8 in. (511 mm)
F	5 1/4 in. (133 mm)
G	*
H	*
I	*
J	*
K	*
L	*

* Dimensions may vary.



NOTE: Designed to be mounted positioned. RGP-252-4 is standard with 12Volt selector valve, RGP-252-5 is standard with 24Volt selector valve, RGP-252-6 has no selector valve.

OPTIONS: Direct pin-on or quick attach lugging. Weight is without options.

web site: www.rotobec.com

e-mail: rotobec@rotobec.com

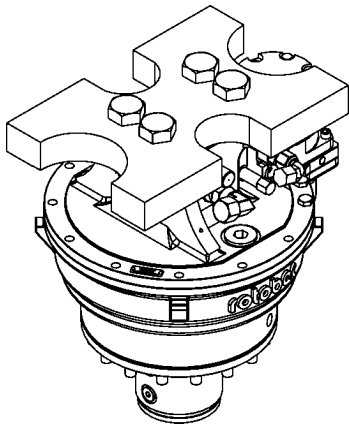
Rotobec Inc.: Head office serving OEM's and Eastern Canada
 Rotobec West: Branch serving Western Canada and Western USA
 Rotobec USA: Branch serving Eastern and Central USA

Ph: (418) 383-3002 Fax: (418) 383-5334
 Ph: (250) 765-1161 Fax: (250) 765-0035
 Ph: (603) 444-2103 Fax: (603) 444-0327



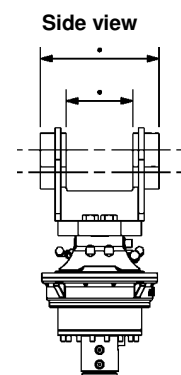
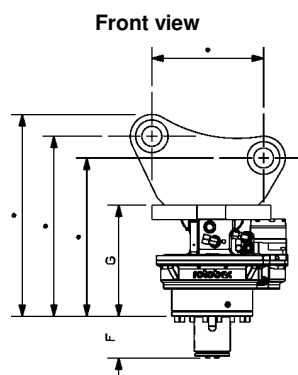
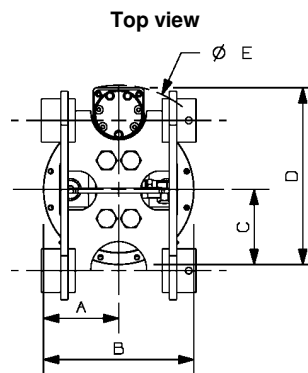
Rotator

RGP-502-1



Rotator type	Continuous, sealed
Maximum lift capacity	50000 lb (22680 kg)
Torque at relief pressure	18140 in. lb (2050 Nm) @ 913 psi (63 bars)
Speed at recommended flow	15 rpm
Recommended flow	8 gpm (30 l/min.)
Maximum pressure to motor	4200 psi (290 bars)
Maximum pressure to cylinders	4200 psi (290 bars)
Rotator motor ports	2 x 10 JIC
Collector upper ports	2 x 12 JIC
Collector lower ports	4 x 08 ORB
Weight	460 lb (209 kg)

Reference	Dimension
A	7 3/4 in. (197 mm)
B	15 1/2 in. (394 mm)
C	7 3/4 in. (197 mm)
D	18 1/4 in. (464 mm)
E	21 1/2 in. (546 mm)
F	5 3/4 in. (146 mm)
G	15 3/8 in. (391 mm)
H	*
I	*
J	*
K	*
L	*



* Dimensions may vary.

NOTE: Designed to be mounted positioned.
 OPTIONS: Direct pin-on or quick attach lugging. Weight is without options.

web site: www.rotobec.com

e-mail: rotobec@rotobec.com

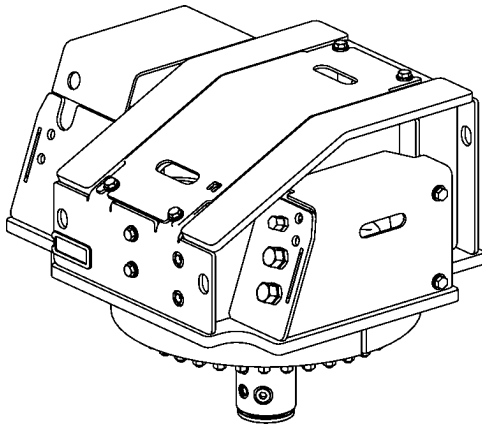
Rotobec Inc.: Head office serving OEM's and Eastern Canada
 Rotobec West: Branch serving Western Canada and Western USA
 Rotobec USA: Branch serving Eastern and Central USA

Ph: (418) 383-3002 Fax: (418) 383-5334
 Ph: (250) 765-1161 Fax: (250) 765-0035
 Ph: (603) 444-2103 Fax: (603) 444-0327



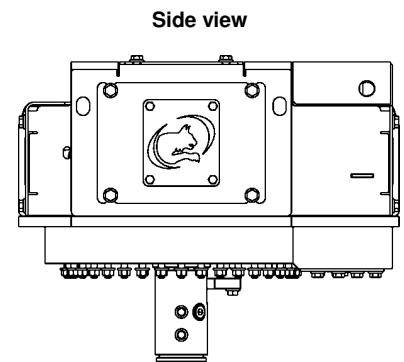
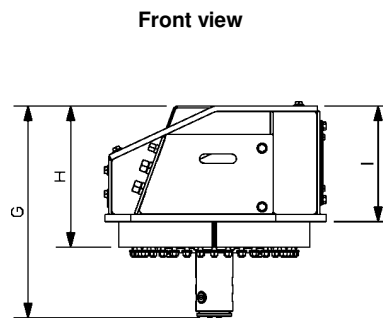
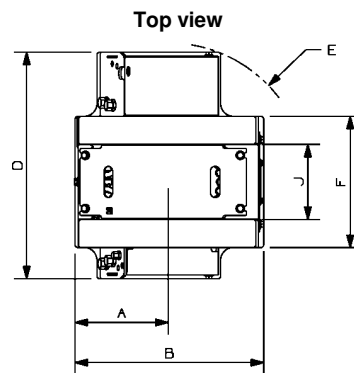
Rotator

RGP-902-1



Rotator type	Continuous, open gears
Maximum lift capacity	90000 lb (40823 kg)
Torque at relief pressure	148710 in. lb (16803 Nm) @ 2200 psi (152 bars)
Speed at recommended flow	15 rpm
Recommended flow	28 gpm (106 l/min.)
Maximum pressure to motor	5000 psi (345 bars)
Maximum pressure to cylinders	5000 psi (345 bars)
Rotator motor ports	2 x 16 JIC + 1 x 10 JIC
Collector upper ports	2 x 16 JIC
Collector lower ports	2 x 12 ORB + 4 x 08 ORB
Weight	1200 lb (544 kg)

Reference	Dimension
A	14 7/8 in. (378 mm)
B	30 1/8 in. (765 mm)
C	
D	36 1/4 in. (921 mm)
E	22 1/4 in. (565 mm)
F	21 in. (533 mm)
G	28 7/8 in. (733 mm)
H	19 1/4 in. (489 mm)
I	15 3/4 in. (400 mm)
J	12 in. (305 mm)
K	
L	



* Dimensions may vary.

OPTIONS: Pin-on or quick attach lugging. 2 section valve on swivel. Float.
Weight is without options.

web site: www.rotobec.com

e-mail: rotobec@rotobec.com

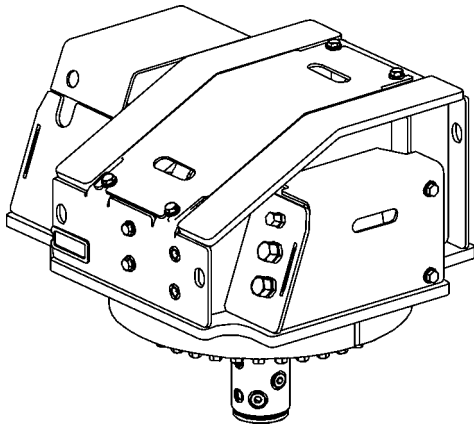
Rotobec Inc.: Head office serving OEM's and Eastern Canada
Rotobec West: Branch serving Western Canada and Western USA
Rotobec USA: Branch serving Eastern and Central USA

Ph: (418) 383-3002 Fax: (418) 383-5334
Ph: (250) 765-1161 Fax: (250) 765-0035
Ph: (603) 444-2103 Fax: (603) 444-0327



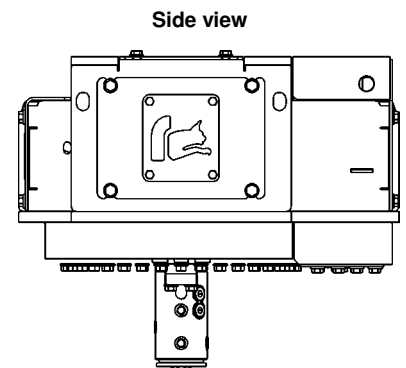
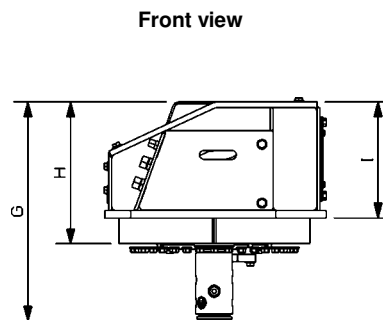
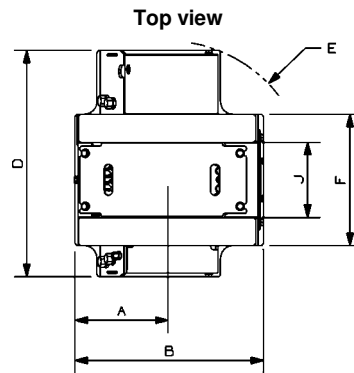
Rotator

RGP-904-1



Rotator type	Continuous, open gears
Maximum lift capacity	90000 lb (40823 kg)
Torque at relief pressure	148710 in. lb (16803 Nm) @ 2200 psi (152 bars)
Speed at recommended flow	18 rpm
Recommended flow	33 gpm (125 l/min.)
Maximum pressure to motor	5000 psi (345 bars)
Maximum pressure to cylinders	5000 psi (345 bars)
Rotator motor ports	2 x 16 JIC + 1 x 10 JIC
Collector upper ports	4 x 12 JIC
Collector lower ports	5 x 12 ORB + 4 x 08 ORB
Weight	1200 lb (544 kg)

Reference	Dimension
A	14 7/8 in. (378 mm)
B	30 1/8 in. (765 mm)
C	
D	36 1/4 in. (921 mm)
E	22 1/4 in. (565 mm)
F	21 in. (533 mm)
G	29 3/4 in. (756 mm)
H	19 1/4 in. (489 mm)
I	15 3/4 in. (400 mm)
J	12 in. (305 mm)
K	
L	



* Dimensions may vary.

OPTIONS: Pin-on or quick attach lugging. 3 section valve on swivel. Float.
Weight is without options.

web site: www.rotobec.com

e-mail: rotobec@rotobec.com

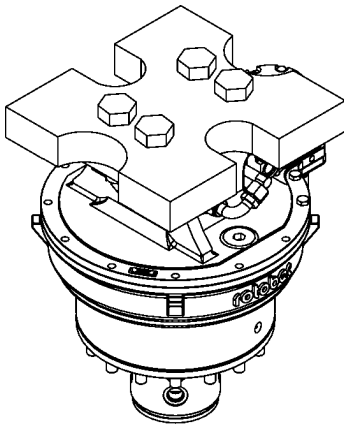
Rotobec Inc.: Head office serving OEM's and Eastern Canada
Rotobec West: Branch serving Western Canada and Western USA
Rotobec USA: Branch serving Eastern and Central USA

Ph: (418) 383-3002 Fax: (418) 383-5334
Ph: (250) 765-1161 Fax: (250) 765-0035
Ph: (603) 444-2103 Fax: (603) 444-0327



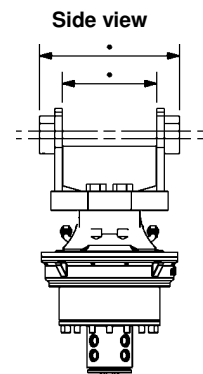
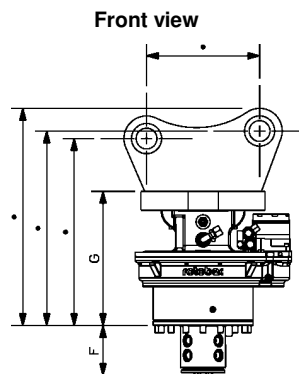
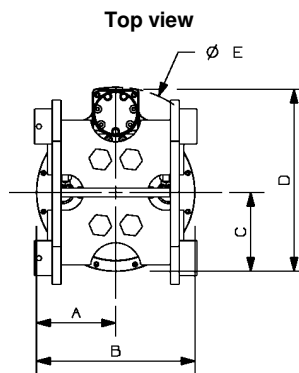
Rotator

RGP-1002-1



Rotator type	Continuous, sealed
Maximum lift capacity	100000 lb (45360 kg)
Torque at relief pressure	21770 in.lb (2460 Nm) @ 913 psi (63 bars)
Speed at recommended flow	10 rpm
Recommended flow	6 gpm (23 l/min.)
Maximum pressure to motor	4200 psi (290 bars)
Maximum pressure to cylinders	4200 psi (290 bars)
Rotator motor ports	2 x 10 JIC
Collector upper ports	2 x 16 JIC
Collector lower ports	4 x 08 ORB
Weight	730 lb (331 kg)

Reference	Dimension
A	9 in. (229 mm)
B	18 in. (457 mm)
C	9 in. (229 mm)
D	20 3/4 in. (527 mm)
E	24 in. (610 mm)
F	6 5/8 in. (168 mm)
G	17 3/4 in. (451 mm)
H	*
I	*
J	*
K	*
L	*



* Dimensions may vary.

NOTE: Designed to be mounted positioned.
 OPTIONS: Direct pin-on or quick attach lugging. Weight is without options.

web site: www.rotobec.com

e-mail: rotobec@rotobec.com

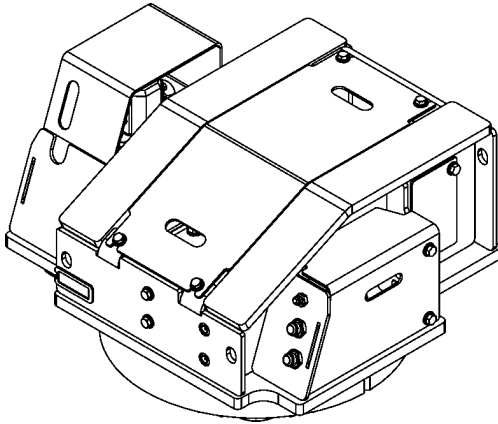
Rotobec Inc.: Head office serving OEM's and Eastern Canada
 Rotobec West: Branch serving Western Canada and Western USA
 Rotobec USA: Branch serving Eastern and Central USA

Ph: (418) 383-3002 Fax: (418) 383-5334
 Ph: (250) 765-1161 Fax: (250) 765-0035
 Ph: (603) 444-2103 Fax: (603) 444-0327



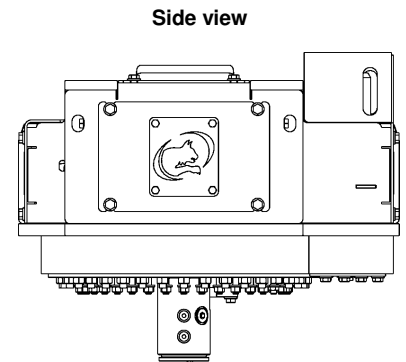
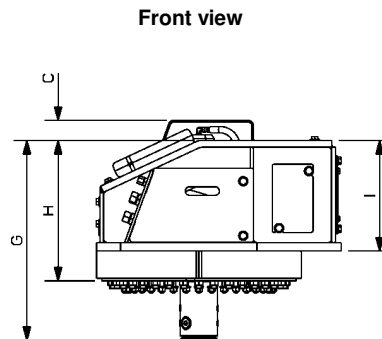
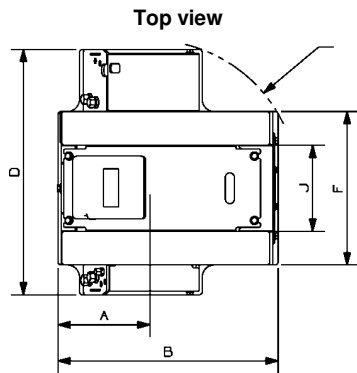
Rotator

RGP-1302-1



Rotator type	Continuous, open gears
Maximum lift capacity	130000 lb (58968 kg)
Torque at relief pressure	176750 in. lb (19972 Nm) @ 2200 psi (152 bars)
Speed at recommended flow	15 rpm
Recommended flow	33 gpm (125 l/min.)
Maximum pressure to motor	5000 psi (345 bars)
Maximum pressure to cylinders	5000 psi (345 bars)
Rotator motor ports	2 x 16 JIC + 1 x 10 JIC
Collector upper ports	2 x 16 JIC
Collector lower ports	2 x 16 ORB + 4 x 10 ORB
Weight	1595 lb (723 kg)

Reference	Dimension
A	15 in. (381 mm)
B	35 7/8 in. (911 mm)
C	2 7/8 in. (73 mm)
D	40 in. (1016 mm)
E	24 1/8 in. (613 mm)
F	25 in. (635 mm)
G	29 5/8 in. (752 mm)
H	20 1/4 in. (514 mm)
I	16 1/4 in. (413 mm)
J	14 in. (356 mm)
K	
L	



* Dimensions may vary.

OPTIONS: Pin-on or quick attach lugging. 2 section valve on swivel. Float.
Weight is without options.

web site: www.rotobec.com

e-mail: rotobec@rotobec.com

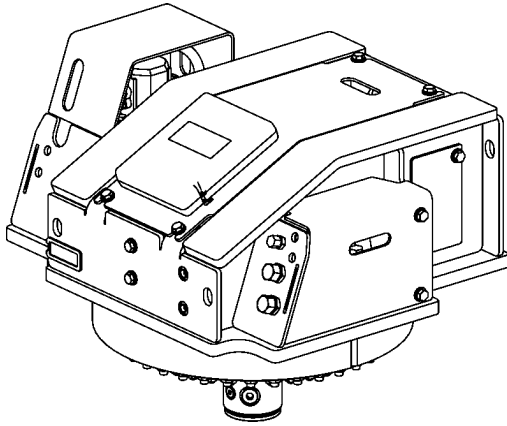
Rotobec Inc.: Head office serving OEM's and Eastern Canada
Rotobec West: Branch serving Western Canada and Western USA
Rotobec USA: Branch serving Eastern and Central USA

Ph: (418) 383-3002 Fax: (418) 383-5334
Ph: (250) 765-1161 Fax: (250) 765-0035
Ph: (603) 444-2103 Fax: (603) 444-0327



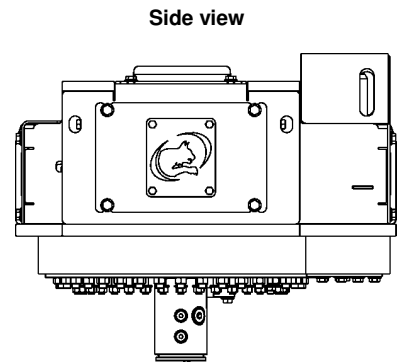
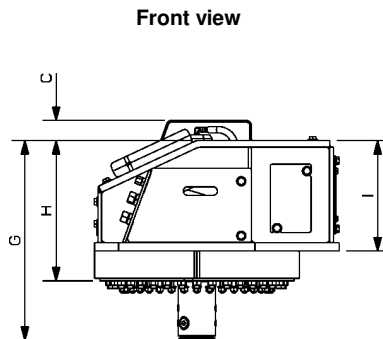
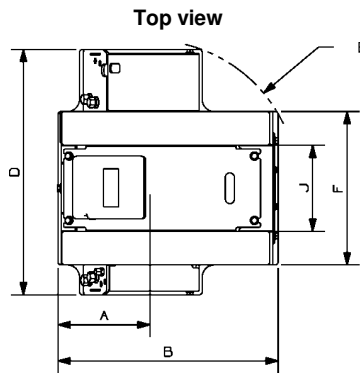
Rotator

RGP-1302A-1



Rotator type	Continuous, open gears
Maximum lift capacity	130000 lb (58968 kg)
Torque at relief pressure	176750 in. lb (19972 Nm) @ 2200 psi (152 bars)
Speed at recommended flow	15 rpm
Recommended flow	33 gpm (125 l/min.)
Maximum pressure to motor	5000 psi (345 bars)
Maximum pressure to cylinders	5000 psi (345 bars)
Rotator motor ports	2 x 16 JIC + 1 x 10 JIC
Collector upper ports	2 x 16 JIC
Collector lower ports	2 x 16 ORB + 4 x 10 ORB
Weight	1680 lb (762 kg)

Reference	Dimension
A	15 in. (381 mm)
B	35 7/8 in. (911 mm)
C	2 7/8 in. (73 mm)
D	40 in. (1016 mm)
E	24 1/8 in. (613 mm)
F	25 in. (635 mm)
G	29 5/8 in. (752 mm)
H	20 1/4 in. (514 mm)
I	16 1/4 in. (413 mm)
J	14 in. (356 mm)
K	
L	



* Dimensions may vary.

OPTIONS: Pin-on or quick attach lugging. 2 section valve on swivel. Float. Including spacer. Weight is without options.

web site: www.rotobec.com

e-mail: rotobec@rotobec.com

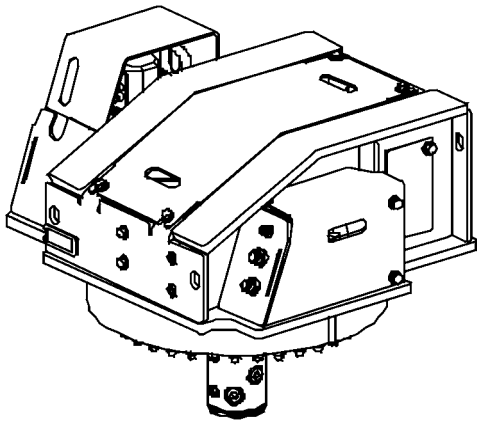
Rotobec Inc.: Head office serving OEM's and Eastern Canada
 Rotobec West: Branch serving Western Canada and Western USA
 Rotobec USA: Branch serving Eastern and Central USA

Ph: (418) 383-3002 Fax: (418) 383-5334
 Ph: (250) 765-1161 Fax: (250) 765-0035
 Ph: (603) 444-2103 Fax: (603) 444-0327



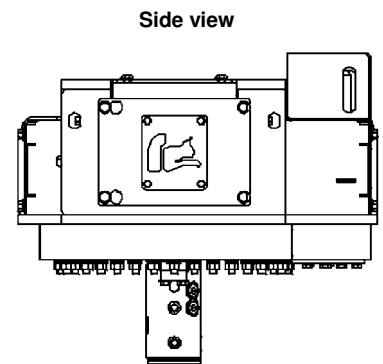
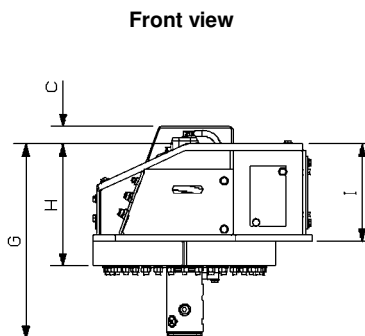
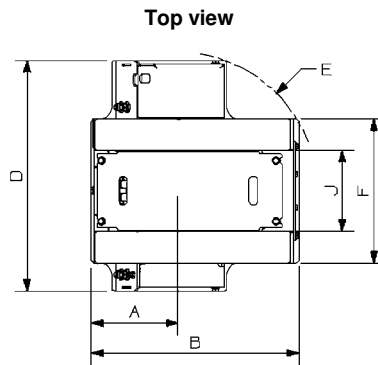
Rotator

RGP-1304-2



Rotator type	Continuous, open gears
Maximum lift capacity	130000 lb (58968 kg)
Torque at relief pressure	176750 in. lb (19972 Nm) @ 2200 psi (152 bars)
Speed at recommended flow	15 rpm
Recommended flow	33 gpm (125 l/min.)
Maximum pressure to motor	5000 psi (345 bars)
Maximum pressure to cylinders	5000 psi (345 bars)
Rotator motor ports	2 x 16 JIC + 1 x 10 JIC
Collector upper ports	2 x 16 JIC
Collector lower ports	5 x 16 ORB + 4 x 10 ORB
Weight	1525 lb (692 kg)

Reference	Dimension
A	15 in. (381 mm)
B	35 7/8 in. (911 mm)
C	3 in. (76 mm)
D	40 in. (1016 mm)
E	24 in. (610 mm)
F	25 in. (635 mm)
G	32 in. (813 mm)
H	20 in. (508 mm)
I	16 in. (406 mm)
J	14 in. (356 mm)
K	
L	



* Dimensions may vary.

OPTIONS: Pin-on or quick attach lugging. 3 section valve in head. Float.
Weight is without options.

web site: www.rotobec.com

e-mail: rotobec@rotobec.com

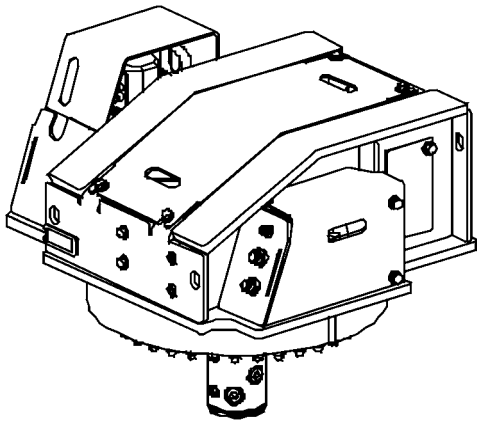
Rotobec Inc.: Head office serving OEM's and Eastern Canada
Rotobec West: Branch serving Western Canada and Western USA
Rotobec USA: Branch serving Eastern and Central USA

Ph: (418) 383-3002 Fax: (418) 383-5334
Ph: (250) 765-1161 Fax: (250) 765-0035
Ph: (603) 444-2103 Fax: (603) 444-0327



Rotator

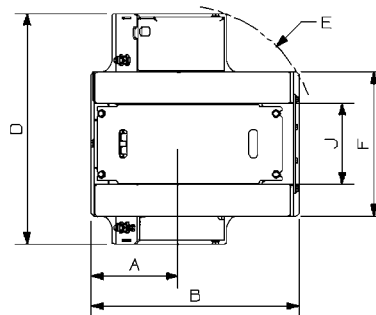
RGP-1304A-2



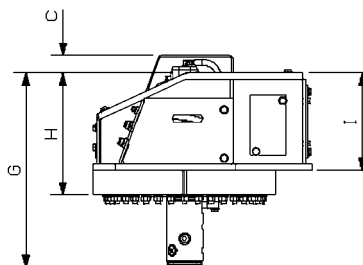
Rotator type	Continuous, open gears
Maximum lift capacity	130000 lb (58968 kg)
Torque at relief pressure	176750 in. lb (19972 Nm) @ 2200 psi (152 bars)
Speed at recommended flow	15 rpm
Recommended flow	33 gpm (125 l/min.)
Maximum pressure to motor	5000 psi (345 bars)
Maximum pressure to cylinders	5000 psi (345 bars)
Rotator motor ports	2 x 16 JIC + 1 x 10 JIC
Collector upper ports	2 x 16 JIC
Collector lower ports	5 x 16 ORB + 4 x 10 ORB
Weight	1610 lb (730 kg)

Reference	Dimension
A	15 in. (381 mm)
B	35 7/8 in. (911 mm)
C	3 in. (76 mm)
D	40 in. (1016 mm)
E	24 in. (610 mm)
F	25 in. (635 mm)
G	32 in. (813 mm)
H	20 in. (508 mm)
I	16 in. (406 mm)
J	14 in. (356 mm)
K	
L	

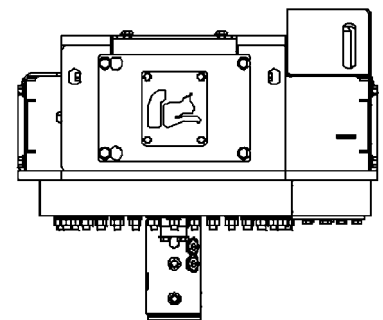
Top view



Front view



Side view



* Dimensions may vary.

OPTIONS: Pin-on or quick attach lugging. 3 section valve in head. Float. Spacer included, not illustrated. Weight is without options.

web site: www.rotobec.com

e-mail: rotobec@rotobec.com

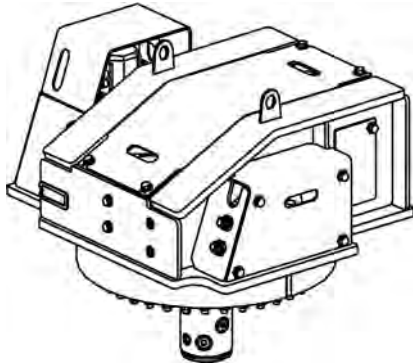
Rotobec Inc.: Head office serving OEM's and Eastern Canada
 Rotobec West: Branch serving Western Canada and Western USA
 Rotobec USA: Branch serving Eastern and Central USA

Ph: (418) 383-3002 Fax: (418) 383-5334
 Ph: (250) 765-1161 Fax: (250) 765-0035
 Ph: (603) 444-2103 Fax: (603) 444-0327



Rotator

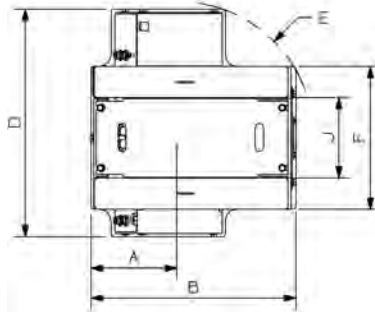
RGP-1306-2



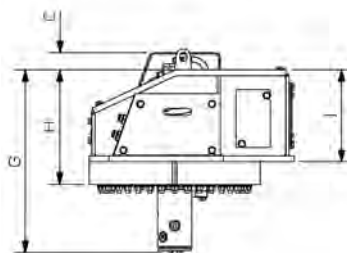
Rotator type	Continuous, open gears
Maximum lift capacity	130000 lb (58968 kg)
Torque at relief pressure	176750 in. lb (19972 Nm) @ 2200 psi (152 bars)
Speed at recommended flow	15 rpm
Recommended flow	33 gpm (125 l/min.)
Maximum pressure to motor	5000 psi (345 bars)
Maximum pressure to cylinders	4000 psi (276 bars)
Rotator motor ports	2 x 16 JIC + 1 x 10 JIC
Collector upper ports	4 x 10 JIC + 2 x 12 JIC
Collector lower ports	8 x 10 ORB
Weight	1560 lb (708 kg)

Reference	Dimension
A	15 in. (381 mm)
B	35 7/8 in. (911 mm)
C	3 in. (76 mm)
D	40 in. (1016 mm)
E	24 in. (610 mm)
F	25 in. (635 mm)
G	33 1/8 in. (841 mm)
H	20 in. (508 mm)
I	16 in. (406 mm)
J	14 in. (356 mm)
K	
L	

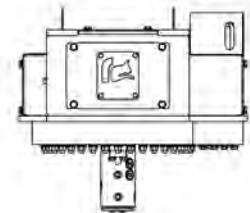
Top view



Front view



Side view



* Dimensions may vary.

OPTIONS: Pin-on or quick attach lugging. 2 or 3 section valve in head. Float.
Weight is without options.

web site: www.rotobec.com

e-mail: rotobec@rotobec.com

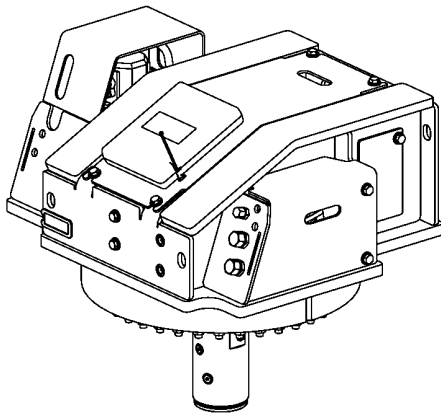
Rotobec Inc.: Head office serving OEM's and Eastern Canada
Rotobec West: Branch serving Western Canada and Western USA
Rotobec USA: Branch serving Eastern and Central USA

Ph: (418) 383-3002 Fax: (418) 383-5334
Ph: (250) 765-1161 Fax: (250) 765-0035
Ph: (603) 444-2103 Fax: (603) 444-0327



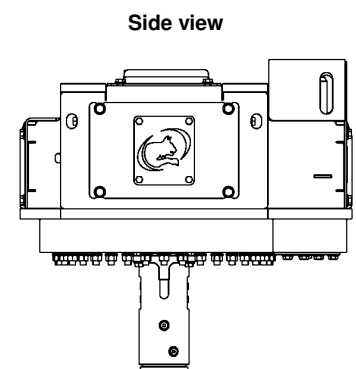
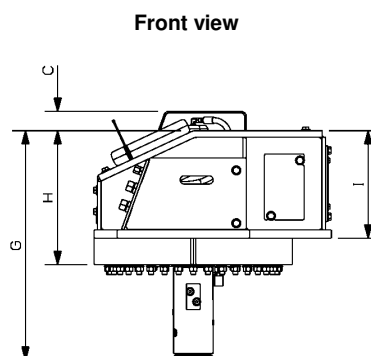
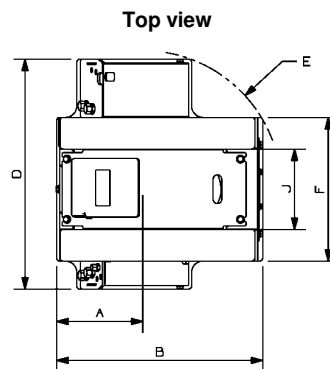
Rotator

RGP-1306-3



Rotator type	Continuous, open gears
Maximum lift capacity	130000 lb (58968 kg)
Torque at relief pressure	176750 in. lb (19972 Nm) @ 2200 psi (152 bars)
Speed at recommended flow	15 rpm
Recommended flow	33 gpm (125 l/min.)
Maximum pressure to motor	5000 psi (345 bars)
Maximum pressure to cylinders	5000 psi (345 bars)
Rotator motor ports	2 x 16 JIC + 1 x 10 JIC
Collector upper ports	4 x 10 JIC + 2 x 12 JIC
Collector lower ports	8 x 10 ORB
Weight	1620 lb (735 kg)

Reference	Dimension
A	15 in. (381 mm)
B	35 7/8 in. (911 mm)
C	2 7/8 in. (73 mm)
D	40 in. (1016 mm)
E	24 1/8 in. (613 mm)
F	25 in. (635 mm)
G	34 3/4 in. (883 mm)
H	20 1/4 in. (514 mm)
I	16 1/4 in. (413 mm)
J	14 in. (356 mm)
K	
L	



* Dimensions may vary.

OPTIONS: Pin-on or quick attach lugging. 4 section valve on swivel. Float.
Weight is without options.

web site: www.rotobec.com

e-mail: rotobec@rotobec.com

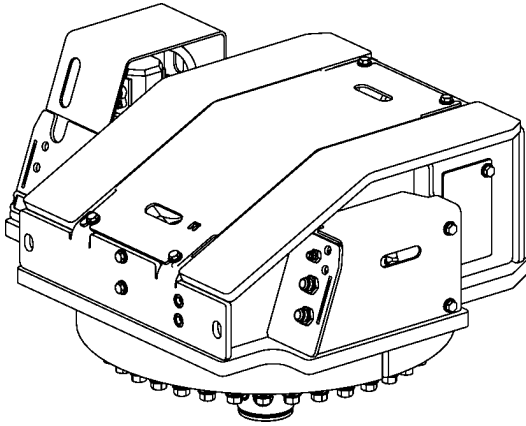
Rotobec Inc.: Head office serving OEM's and Eastern Canada
Rotobec West: Branch serving Western Canada and Western USA
Rotobec USA: Branch serving Eastern and Central USA

Ph: (418) 383-3002 Fax: (418) 383-5334
Ph: (250) 765-1161 Fax: (250) 765-0035
Ph: (603) 444-2103 Fax: (603) 444-0327



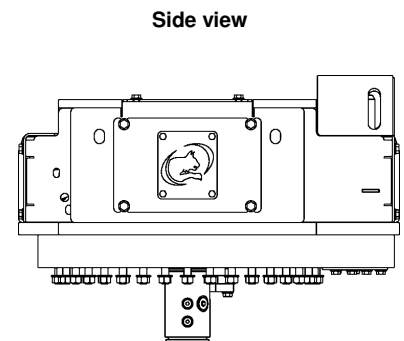
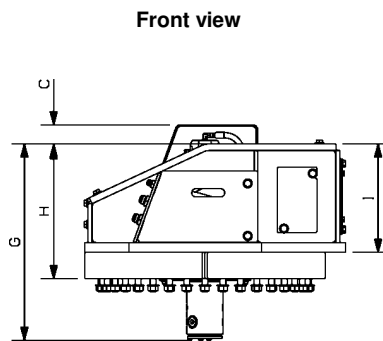
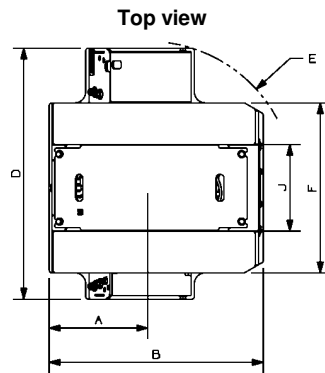
Rotator

RGP-1702-1



Rotator type	Continuous, open gears
Maximum lift capacity	170000 lb (77111 kg)
Torque at relief pressure	218520 in. lb (24692 Nm) @ 2200 psi (152 bars)
Speed at recommended flow	12 rpm
Recommended flow	32 gpm (121 l/min.)
Maximum pressure to motor	5000 psi (345 bars)
Maximum pressure to cylinders	5000 psi (345 bars)
Rotator motor ports	2 x 16 JIC + 1 x 10 JIC
Collector upper ports	2 x 16 JIC
Collector lower ports	2 x 16 ORB + 4 x 10 ORB
Weight	2220 lb (1007 kg)

Reference	Dimension
A	18 1/4 in. (464 mm)
B	39 5/8 in. (1006 mm)
C	2 7/8 in. (73 mm)
D	46 1/2 in. (1181 mm)
E	27 1/8 in. (689 mm)
F	31 1/2 in. (800 mm)
G	29 7/8 in. (759 mm)
H	20 1/2 in. (521 mm)
I	16 1/2 in. (419 mm)
J	16 in. (406 mm)
K	
L	



* Dimensions may vary.

OPTIONS: Pin-on or quick attach lugging. 2 section valve on swivel. Float.
Weight is without options.

web site: www.rotobec.com

e-mail: rotobec@rotobec.com

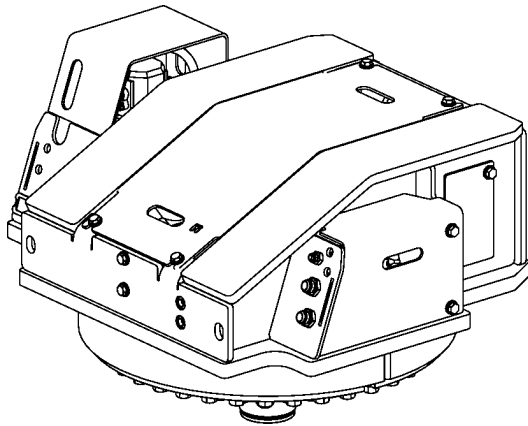
Rotobec Inc.: Head office serving OEM's and Eastern Canada
Rotobec West: Branch serving Western Canada and Western USA
Rotobec USA: Branch serving Eastern and Central USA

Ph: (418) 383-3002 Fax: (418) 383-5334
Ph: (250) 765-1161 Fax: (250) 765-0035
Ph: (603) 444-2103 Fax: (603) 444-0327



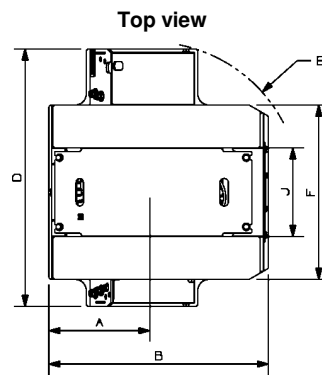
Rotator

RGP-1702A-1

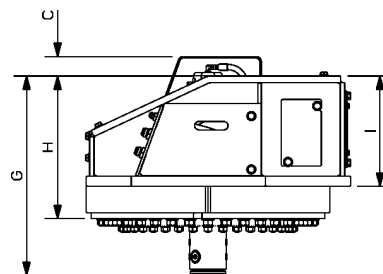


Rotator type	Continuous, open gears
Maximum lift capacity	170000 lb (77111 kg)
Torque at relief pressure	218520 in. lb (24692 Nm) @ 2200 psi (152 bars)
Speed at recommended flow	12 rpm
Recommended flow	32 gpm (121 l/min.)
Maximum pressure to motor	5000 psi (345 bars)
Maximum pressure to cylinders	5000 psi (345 bars)
Rotator motor ports	2 x 16 JIC + 1 x 10 JIC
Collector upper ports	2 x 16 JIC
Collector lower ports	2 x 16 ORB + 4 x 10 ORB
Weight	2430 lb (1102 kg)

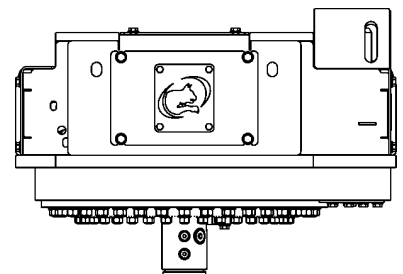
Reference	Dimension
A	18 1/4 in. (464 mm)
B	39 5/8 in. (1006 mm)
C	2 7/8 in. (73 mm)
D	46 1/2 in. (1181 mm)
E	27 1/8 in. (689 mm)
F	31 1/2 in. (800 mm)
G	29 7/8 in. (759 mm)
H	21 3/8 in. (543 mm)
I	16 1/2 in. (419 mm)
J	16 in. (406 mm)
K	
L	



Top view



Front view



Side view

* Dimensions may vary.

OPTIONS: Pin-on or quick attach lugging. 2 section valve on swivel. Float. Including spacer. Weight is without options.

web site: www.rotobec.com

e-mail: rotobec@rotobec.com

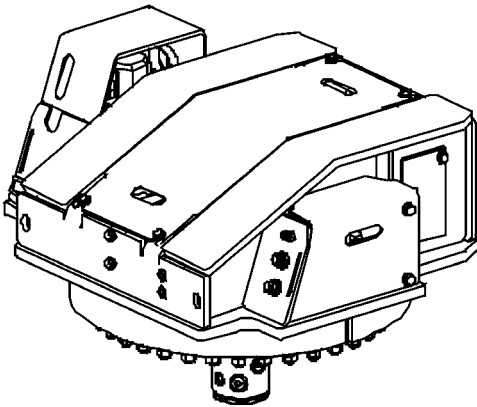
Rotobec Inc.: Head office serving OEM's and Eastern Canada
 Rotobec West: Branch serving Western Canada and Western USA
 Rotobec USA: Branch serving Eastern and Central USA

Ph: (418) 383-3002 Fax: (418) 383-5334
 Ph: (250) 765-1161 Fax: (250) 765-0035
 Ph: (603) 444-2103 Fax: (603) 444-0327



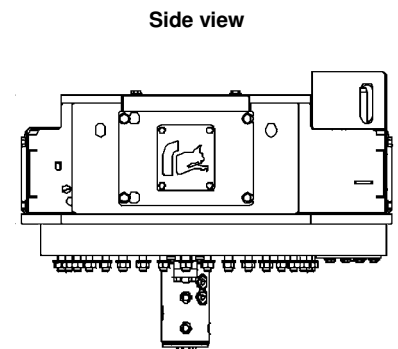
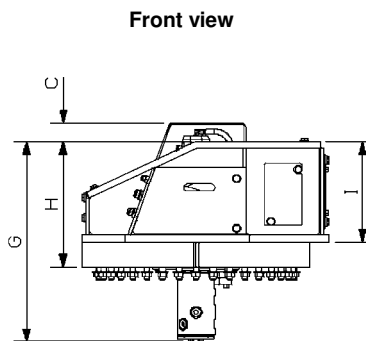
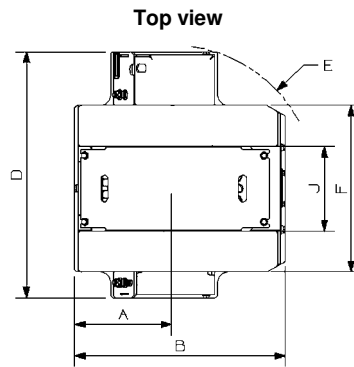
Rotator

RGP-1704-2



Rotator type	Continuous, open gears
Maximum lift capacity	170000 lb (77111 kg)
Torque at relief pressure	218520 in. lb (24692 Nm) @ 2200 psi (152 bars)
Speed at recommended flow	12 rpm
Recommended flow	32 gpm (121 l/min.)
Maximum pressure to motor	5000 psi (345 bars)
Maximum pressure to cylinders	5000 psi (345 bars)
Rotator motor ports	2 x 16 JIC + 1 x 10 JIC
Collector upper ports	2 x 16 JIC
Collector lower ports	5 x 16 ORB + 4 x 10 ORB
Weight	2125 lb (964 kg)

Reference	Dimension
A	18 1/4 in. (464 mm)
B	39 5/8 in. (1006 mm)
C	3 in. (76 mm)
D	46 1/2 in. (1181 mm)
E	27 1/8 in. (689 mm)
F	31 1/2 in. (800 mm)
G	32 1/4 in. (819 mm)
H	20 1/4 in. (514 mm)
I	16 1/4 in. (413 mm)
J	16 in. (406 mm)
K	
L	



* Dimensions may vary.

OPTIONS: Pin-on or quick attach lugging. 3 section valve in head. Float.
Weight is without options.

web site: www.rotobec.com

e-mail: rotobec@rotobec.com

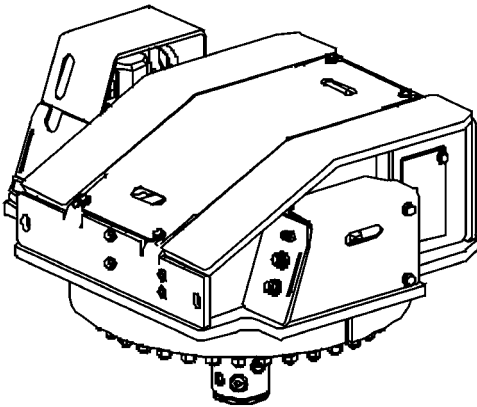
Rotobec Inc.: Head office serving OEM's and Eastern Canada
Rotobec West: Branch serving Western Canada and Western USA
Rotobec USA: Branch serving Eastern and Central USA

Ph: (418) 383-3002 Fax: (418) 383-5334
Ph: (250) 765-1161 Fax: (250) 765-0035
Ph: (603) 444-2103 Fax: (603) 444-0327



Rotator

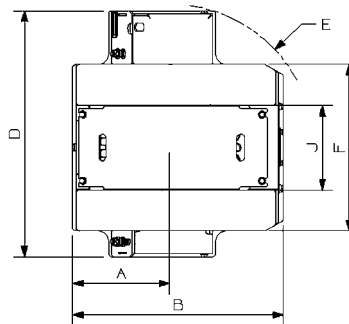
RGP-1704A-2



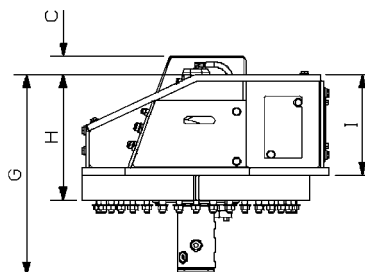
Rotator type	Continuous, open gears
Maximum lift capacity	170000 lb (77111 kg)
Torque at relief pressure	218520 in. lb (24692 Nm) @ 2200 psi (152 bars)
Speed at recommended flow	12 rpm
Recommended flow	32 gpm (121 l/min.)
Maximum pressure to motor	5000 psi (345 bars)
Maximum pressure to cylinders	5000 psi (345 bars)
Rotator motor ports	2 x 16 JIC + 1 x 10 JIC
Collector upper ports	2 x 16 JIC
Collector lower ports	5 x 16 ORB + 4 x 10 ORB
Weight	2335 lb (1059 kg)

Reference	Dimension
A	18 1/4 in. (464 mm)
B	39 5/8 in. (1006 mm)
C	3 in. (76 mm)
D	46 1/2 in. (1181 mm)
E	27 1/8 in. (689 mm)
F	31 1/2 in. (800 mm)
G	32 1/4 in. (819 mm)
H	20 1/4 in. (514 mm)
I	16 1/4 in. (413 mm)
J	16 in. (406 mm)
K	
L	

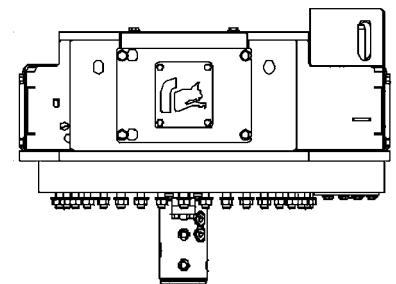
Top view



Front view



Side view



* Dimensions may vary.

OPTIONS: Pin-on or quick attach lugging. 3 section valve in head. Float. Including spacer, not illustrated. Weight is without options.

web site: www.rotobec.com

e-mail: rotobec@rotobec.com

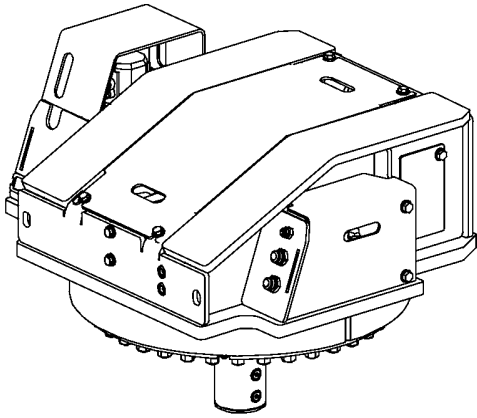
Rotobec Inc.: Head office serving OEM's and Eastern Canada
 Rotobec West: Branch serving Western Canada and Western USA
 Rotobec USA: Branch serving Eastern and Central USA

Ph: (418) 383-3002 Fax: (418) 383-5334
 Ph: (250) 765-1161 Fax: (250) 765-0035
 Ph: (603) 444-2103 Fax: (603) 444-0327



Rotator

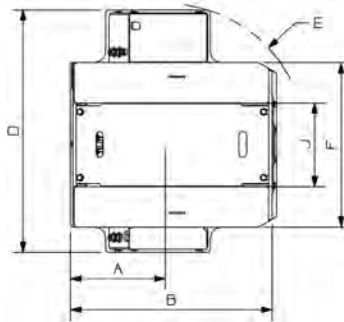
RGP-1706-2



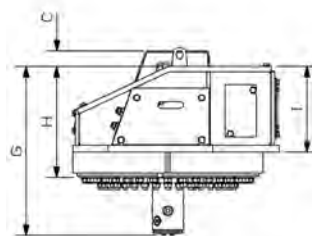
Rotator type	Continuous, open gears
Maximum lift capacity	170000 lb (77111 kg)
Torque at relief pressure	218520 in. lb (24692 Nm) @ 2200 psi (152 bars)
Speed at recommended flow	12 rpm
Recommended flow	32 gpm (121 l/min.)
Maximum pressure to motor	5000 psi (345 bars)
Maximum pressure to cylinders	4000 psi (276 bars)
Rotator motor ports	2 x 16 JIC + 1 x 10 JIC
Collector upper ports	4 x 10 JIC + 2 x 12 JIC
Collector lower ports	8 x 10 ORB
Weight	2190 lb (993 kg)

Reference	Dimension
A	18 1/4 in. (464 mm)
B	39 5/8 in. (1006 mm)
C	3 in. (76 mm)
D	46 1/2 in. (1181 mm)
E	27 1/8 in. (689 mm)
F	31 1/2 in. (800 mm)
G	33 3/8 in. (848 mm)
H	20 1/4 in. (514 mm)
I	16 1/4 in. (413 mm)
J	16 in. (406 mm)
K	
L	

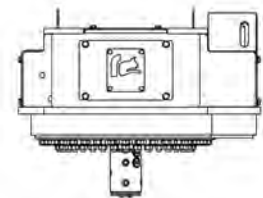
Top view



Front view



Side view



* Dimensions may vary.

OPTIONS: Pin-on or quick attach lugging. 2 or 3 section valve in head. Float.
Weight is without options.

web site: www.rotobec.com

e-mail: rotobec@rotobec.com

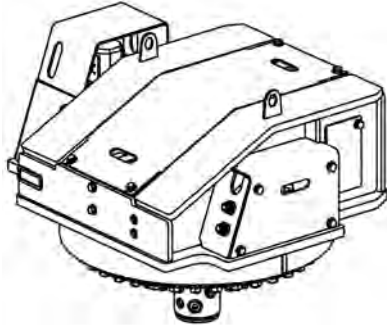
Rotobec Inc.: Head office serving OEM's and Eastern Canada
Rotobec West: Branch serving Western Canada and Western USA
Rotobec USA: Branch serving Eastern and Central USA

Ph: (418) 383-3002 Fax: (418) 383-5334
Ph: (250) 765-1161 Fax: (250) 765-0035
Ph: (603) 444-2103 Fax: (603) 444-0327



Rotator

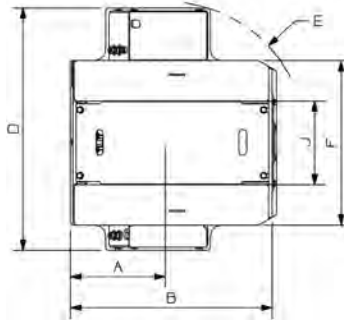
RGP-1706A-2



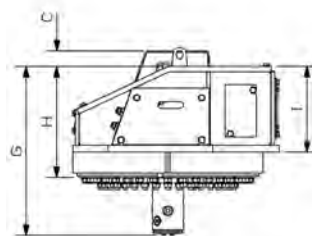
Rotator type	Continuous, open gears
Maximum lift capacity	170000 lb (77111 kg)
Torque at relief pressure	218520 in. lb (24692 Nm) @ 2200 psi (152 bars)
Speed at recommended flow	12 rpm
Recommended flow	32 gpm (121 l/min.)
Maximum pressure to motor	5000 psi (345 bars)
Maximum pressure to cylinders	4000 psi (276 bars)
Rotator motor ports	2 x 16 JIC + 1 x 10 JIC
Collector upper ports	4 x 10 JIC + 2 x 12 JIC
Collector lower ports	8 x 10 ORB
Weight	2400 lb (1089 kg)

Reference	Dimension
A	18 1/4 in. (464 mm)
B	39 5/8 in. (1006 mm)
C	3 in. (76 mm)
D	46 1/2 in. (1181 mm)
E	27 1/8 in. (689 mm)
F	31 1/2 in. (800 mm)
G	33 3/8 in. (848 mm)
H	20 1/4 in. (514 mm)
I	16 1/4 in. (413 mm)
J	16 in. (406 mm)
K	
L	

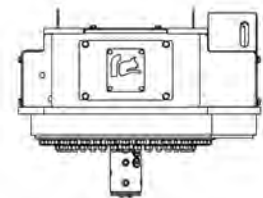
Top view



Front view



Side view



* Dimensions may vary.

OPTIONS: Pin-on or quick attach lugging. 2 or 3 section valve in head. Float. Including spacer, not illustrated. Weight is without options.

web site: www.rotobec.com

e-mail: rotobec@rotobec.com

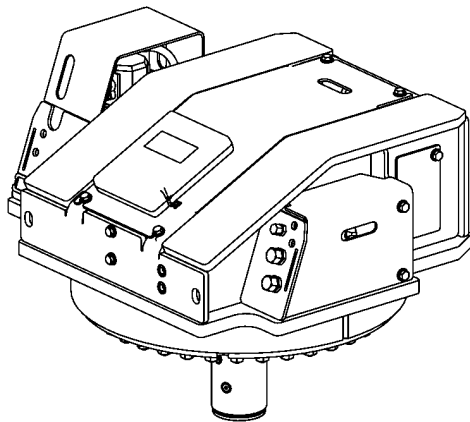
Rotobec Inc.: Head office serving OEM's and Eastern Canada
 Rotobec West: Branch serving Western Canada and Western USA
 Rotobec USA: Branch serving Eastern and Central USA

Ph: (418) 383-3002 Fax: (418) 383-5334
 Ph: (250) 765-1161 Fax: (250) 765-0035
 Ph: (603) 444-2103 Fax: (603) 444-0327



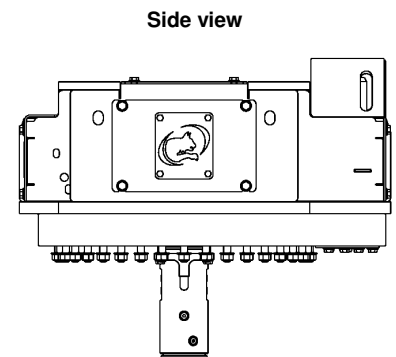
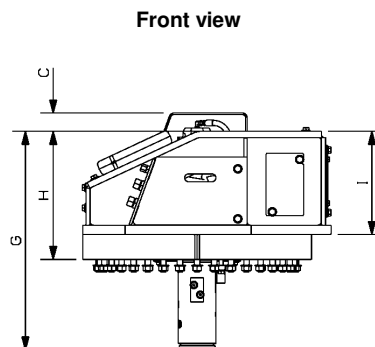
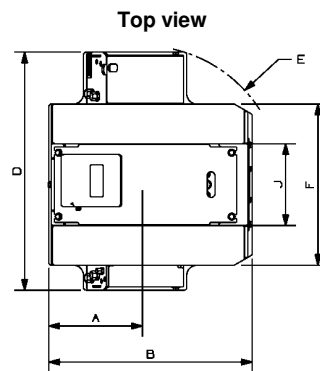
Rotator

RGP-1706-3



Rotator type	Continuous, open gears
Maximum lift capacity	170000 lb (77111 kg)
Torque at relief pressure	218520 in. lb (24692 Nm) @ 2200 psi (152 bars)
Speed at recommended flow	12 rpm
Recommended flow	32 gpm (121 l/min.)
Maximum pressure to motor	5000 psi (345 bars)
Maximum pressure to cylinders	4000 psi (276 bars)
Rotator motor ports	2 x 16 JIC + 1 x 10 JIC
Collector upper ports	4 x 10 JIC + 2 x 12 JIC
Collector lower ports	8 x 10 ORB
Weight	2230 lb (1012 kg)

Reference	Dimension
A	18 1/4 in. (464 mm)
B	39 5/8 in. (1006 mm)
C	3 in. (76 mm)
D	46 1/2 in. (1181 mm)
E	27 1/8 in. (689 mm)
F	31 1/2 in. (800 mm)
G	33 3/8 in. (848 mm)
H	20 1/4 in. (514 mm)
I	16 1/4 in. (413 mm)
J	16 in. (406 mm)
K	
L	



* Dimensions may vary.

OPTIONS: Pin-on or quick attach lugging. 4 section valve on swivel. Float.
Weight is without options.

web site: www.rotobec.com

e-mail: rotobec@rotobec.com

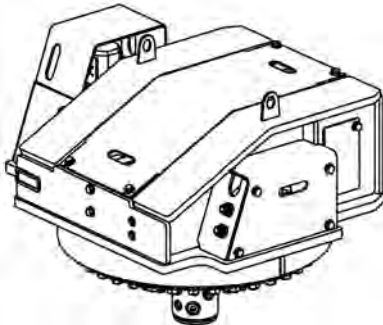
Rotobec Inc.: Head office serving OEM's and Eastern Canada
Rotobec West: Branch serving Western Canada and Western USA
Rotobec USA: Branch serving Eastern and Central USA

Ph: (418) 383-3002 Fax: (418) 383-5334
Ph: (250) 765-1161 Fax: (250) 765-0035
Ph: (603) 444-2103 Fax: (603) 444-0327



Rotator

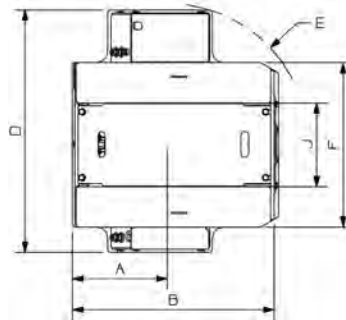
RGP-1706A-3



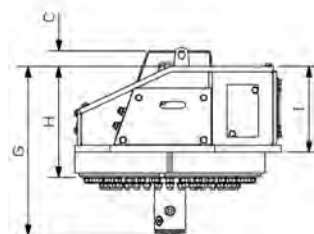
Rotator type	Continuous, open gears
Maximum lift capacity	170000 lb (77111 kg)
Torque at relief pressure	218520 in. lb (24692 Nm) @ 2200 psi (152 bars)
Speed at recommended flow	12 rpm
Recommended flow	32 gpm (121 l/min.)
Maximum pressure to motor	5000 psi (345 bars)
Maximum pressure to cylinders	5000 psi (345 bars)
Rotator motor ports	2 x 16 JIC + 1 x 10 JIC
Collector upper ports	4 x 10 JIC + 2 x 12 JIC
Collector lower ports	8 x 10 ORB
Weight	2400 lb (1089 kg)

Reference	Dimension
A	18 1/4 in. (464 mm)
B	39 5/8 in. (1006 mm)
C	3 in. (76 mm)
D	46 1/2 in. (1181 mm)
E	27 1/8 in. (689 mm)
F	31 1/2 in. (800 mm)
G	33 3/8 in. (848 mm)
H	20 1/4 in. (514 mm)
I	16 1/4 in. (413 mm)
J	16 in. (406 mm)
K	
L	

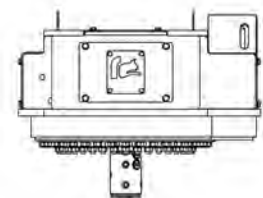
Top view



Front view



Side view



* Dimensions may vary.

OPTIONS: Pin-on or quick attach lugging. 4 section valve on swivel. Float. Including spacer, not illustrated. Weight is without options.

web site: www.rotobec.com

e-mail: rotobec@rotobec.com

Rotobec Inc.: Head office serving OEM's and Eastern Canada
 Rotobec West: Branch serving Western Canada and Western USA
 Rotobec USA: Branch serving Eastern and Central USA

Ph: (418) 383-3002 Fax: (418) 383-5334
 Ph: (250) 765-1161 Fax: (250) 765-0035
 Ph: (603) 444-2103 Fax: (603) 444-0327