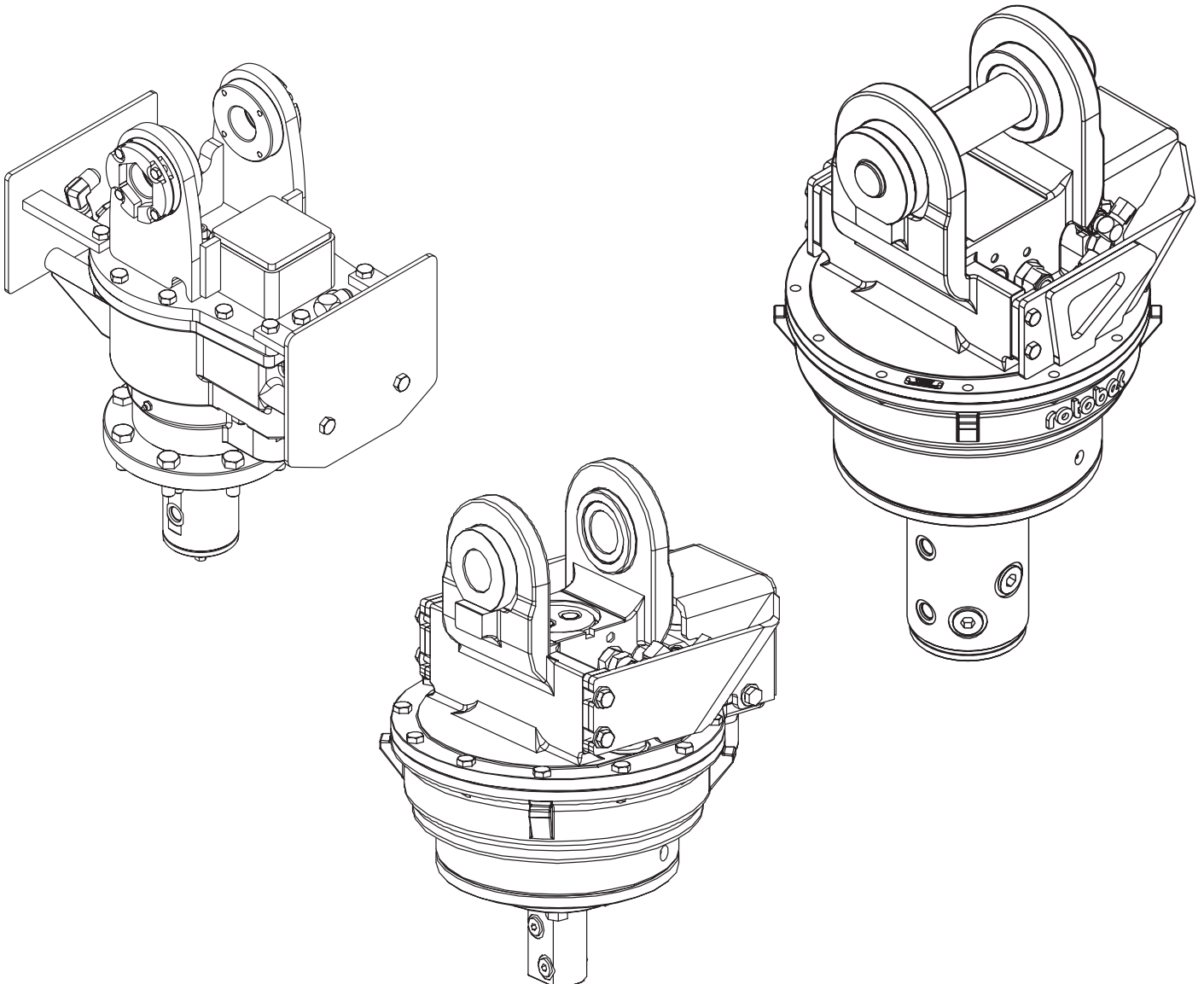




ROTOBEC™

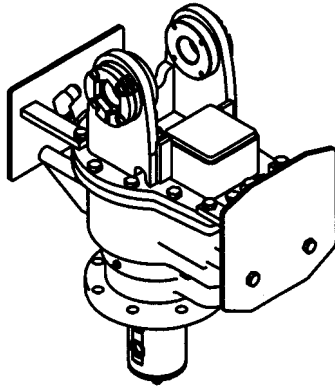
DANGLING ROTATIONS





Rotator

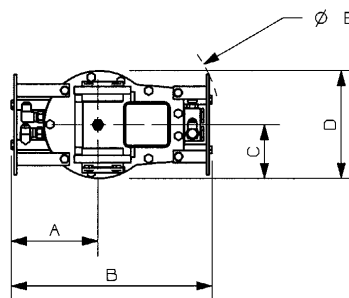
R-9150-3



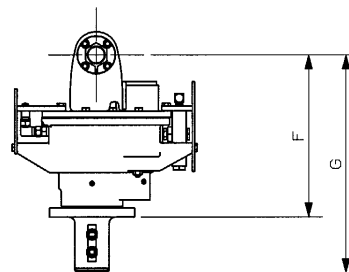
Rotator type	Continuous, sealed
Maximum lift capacity	18000 lb (8165 kg)
Torque at relief pressure	8450 in.lb (955 Nm) @ 913 psi (63 bars)
Speed at recommended flow	30 rpm
Recommended flow	8 gpm (30 l/min.)
Maximum pressure to motor	4000 psi (276 bars)
Maximum pressure to cylinders	4000 psi (276 bars)
Rotator motor ports	2 x 10 JIC
Collector upper ports	2 x 10 JIC
Collector lower ports	4 x 08 ORB
Weight	225 lb (102 kg)

Reference	Dimension
A	8 1/2 in. (216 mm)
B	19 5/8 in. (498 mm)
C	5 3/8 in. (137 mm)
D	10 3/4 in. (273 mm)
E	23 5/8 in. (600 mm)
F	17 1/4 in. (438 mm)
G	23 1/4 in. (591 mm)
H	9 1/8 in. (232 mm)
I	6 1/8 in. (156 mm)
J	*
K	
L	

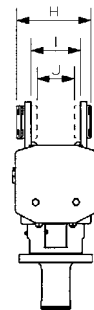
Top view



Front view



Side view



* Dimensions may vary.

web site: www.rotobec.com

e-mail: rotobec@rotobec.com

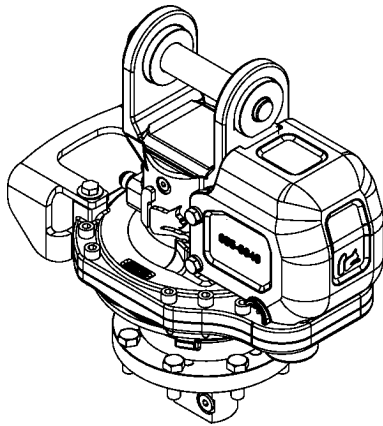
Rotobec Inc.: Head office serving OEM's and Eastern Canada
 Rotobec West: Branch serving Western Canada and Western USA
 Rotobec USA: Branch serving Eastern and Central USA

Ph: (418) 383-3002 Fax: (418) 383-5334
 Ph: (250) 765-1161 Fax: (250) 765-0035
 Ph: (603) 444-2103 Fax: (603) 444-0327



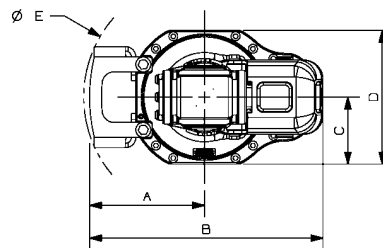
Rotator

RT-222-2



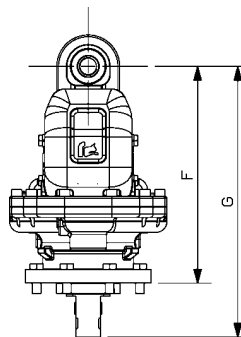
Rotator type	Continuous, sealed
Maximum lift capacity	22000 lb (9980 kg)
Torque at relief pressure	10700 in.lb (1209 Nm) @ 913 psi (63 bars)
Speed at recommended flow	30 rpm
Recommended flow	10 gpm (38 l/min.)
Maximum pressure to motor	5000 psi (345 bars)
Maximum pressure to cylinders	N/A
Rotator motor ports	2 x 10 JIC
Collector upper ports	2 x 10 JIC
Collector lower ports	4 x 08 ORB
Weight	225 lb (102 kg)

Top view

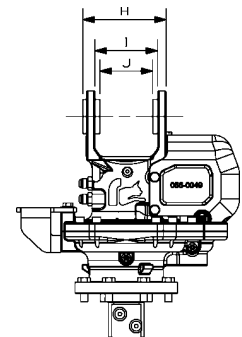


Reference	Dimension
A	9 5/8 in. (244 mm)
B	19 1/2 in. (495 mm)
C	5 5/8 in. (143 mm)
D	11 1/4 in. (286 mm)
E	20 1/4 in. (514 mm)
F	15 1/2 in. (394 mm)
G	19 3/8 in. (492 mm)
H	7 1/4 in. (184 mm)
I	5 1/2 in. (140 mm)
J	*
K	
L	

Front view



Side view



* Dimensions may vary.

web site: www.rotobec.com

e-mail: rotobec@rotobec.com

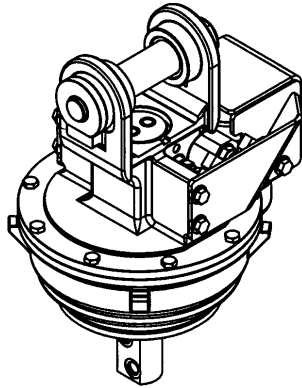
Rotobec Inc.: Head office serving OEM's and Eastern Canada
 Rotobec West: Branch serving Western Canada and Western USA
 Rotobec USA: Branch serving Eastern and Central USA

Ph: (418) 383-3002 Fax: (418) 383-5334
 Ph: (250) 765-1161 Fax: (250) 765-0035
 Ph: (603) 444-2103 Fax: (603) 444-0327



Rotator

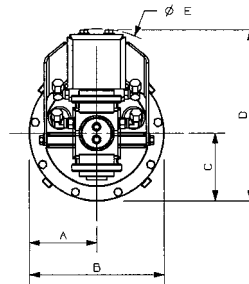
RT-252-1



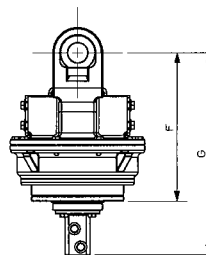
Rotator type	Continuous, sealed
Maximum lift capacity	25000 lb (11340 kg)
Torque at relief pressure	16150 in.lb (1825 Nm) @ 1450 psi (100 bars)
Speed at recommended flow	30 rpm
Recommended flow	9 gpm (34 l/min.)
Maximum pressure to motor	5000 psi (345 bars)
Maximum pressure to cylinders	5000 psi (345 bars)
Rotator motor ports	2 x 10 JIC
Collector upper ports	2 x 10 JIC
Collector lower ports	4 x 08 ORB
Weight	270 lb (122 kg)

Reference	Dimension
A	6 3/4 in. (171 mm)
B	13 1/2 in. (343 mm)
C	6 3/4 in. (171 mm)
D	17 1/8 in. (435 mm)
E	21 in. (533 mm)
F	14 7/8 in. (378 mm)
G	20 1/4 in. (514 mm)
H	8 5/8 in. (219 mm)
I	6 1/8 in. (156 mm)
J	*
K	
L	

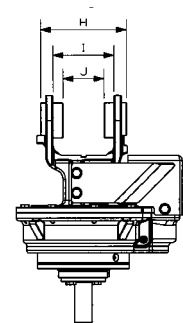
Top view



Front view



Side view



* Dimensions may vary.

web site: www.rotobec.com

e-mail: rotobec@rotobec.com

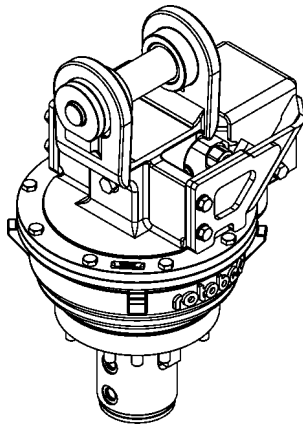
Rotobec Inc.: Head office serving OEM's and Eastern Canada
 Rotobec West: Branch serving Western Canada and Western USA
 Rotobec USA: Branch serving Eastern and Central USA

Ph: (418) 383-3002 Fax: (418) 383-5334
 Ph: (250) 765-1161 Fax: (250) 765-0035
 Ph: (603) 444-2103 Fax: (603) 444-0327



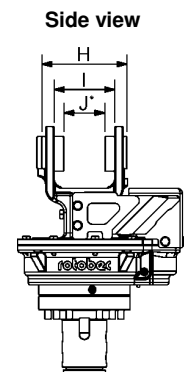
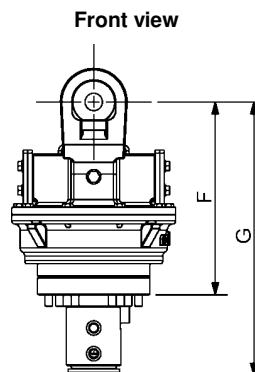
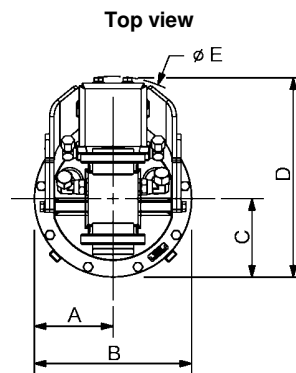
Rotator

RT-322-1



Rotator type	Continuous, sealed
Maximum lift capacity	32000 lb (14515 kg)
Torque at relief pressure	16150 in.lb (1825 Nm) @ 1450 psi (100 bars)
Speed at recommended flow	30 rpm
Recommended flow	9 gpm (34 l/min.)
Maximum pressure to motor	5000 psi (345 bars)
Maximum pressure to cylinders	5000 psi (345 bars)
Rotator motor ports	2 x 10 JIC
Collector upper ports	2 x 10 JIC
Collector lower ports	4 x 08 ORB
Weight	310 lb (141 kg)

Reference	Dimension
A	6 3/4 in. (171 mm)
B	13 1/2 in. (343 mm)
C	6 3/4 in. (171 mm)
D	17 1/8 in. (435 mm)
E	21 in. (533 mm)
F	15 7/8 in. (403 mm)
G	22 3/8 in. (568 mm)
H	8 5/8 in. (219 mm)
I	6 1/8 in. (156 mm)
J	*
K	
L	



* Dimensions may vary.

web site: www.rotobec.com

e-mail: rotobec@rotobec.com

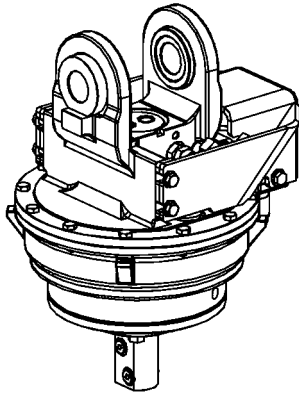
Rotobec Inc.: Head office serving OEM's and Eastern Canada
 Rotobec West: Branch serving Western Canada and Western USA
 Rotobec USA: Branch serving Eastern and Central USA

Ph: (418) 383-3002 Fax: (418) 383-5334
 Ph: (250) 765-1161 Fax: (250) 765-0035
 Ph: (603) 444-2103 Fax: (603) 444-0327



Rotator

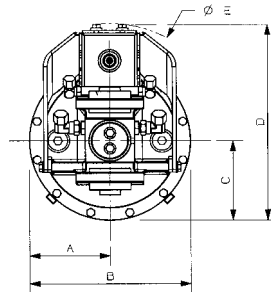
RT-502-STD-1



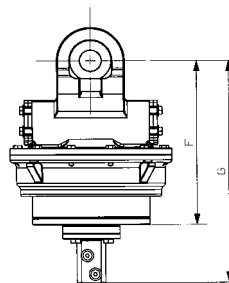
Rotator type	Continuous, sealed
Maximum lift capacity	50000 lb (22680 kg)
Torque at relief pressure	18630 in.lb (2105 Nm) @ 1450 psi (100 bars)
Speed at recommended flow	25 rpm
Recommended flow	9 gpm (34 l/min.)
Maximum pressure to motor	5000 psi (345 bars)
Maximum pressure to cylinders	5000 psi (345 bars)
Rotator motor ports	2 x 10 JIC
Collector upper ports	2 x 12 JIC
Collector lower ports	4 x 08 ORB
Weight	455 lb (206 kg)

Reference	Dimension
A	7 3/4 in. (197 mm)
B	15 1/2 in. (394 mm)
C	7 3/4 in. (197 mm)
D	19 1/8 in. (486 mm)
E	22 7/8 in. (581 mm)
F	16 7/8 in. (429 mm)
G	22 5/8 in. (575 mm)
H	9 5/8 in. (244 mm)
I	6 1/8 in. (156 mm)
J	*
K	
L	

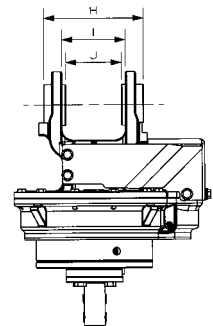
Top view



Front view



Side view



* Dimensions may vary.

web site: www.rotobec.com

e-mail: rotobec@rotobec.com

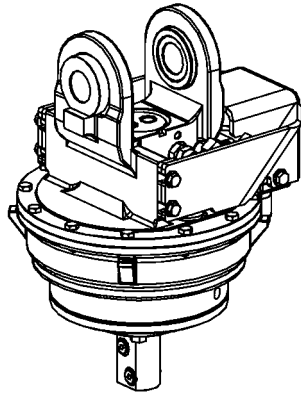
Rotobec Inc.: Head office serving OEM's and Eastern Canada
 Rotobec West: Branch serving Western Canada and Western USA
 Rotobec USA: Branch serving Eastern and Central USA

Ph: (418) 383-3002 Fax: (418) 383-5334
 Ph: (250) 765-1161 Fax: (250) 765-0035
 Ph: (603) 444-2103 Fax: (603) 444-0327



Rotator

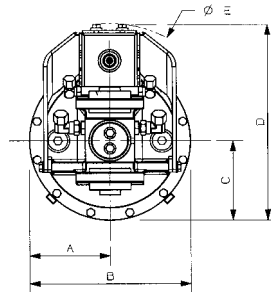
RT-502-STD-2



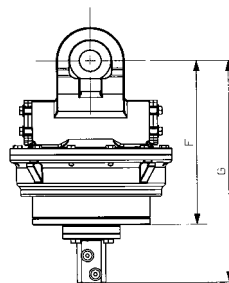
Rotator type	Continuous, sealed
Maximum lift capacity	50000 lb (22680 kg)
Torque at relief pressure	18630 in.lb (2105 Nm) @ 1450 psi (100 bars)
Speed at recommended flow	25 rpm
Recommended flow	9 gpm (34 l/min.)
Maximum pressure to motor	5000 psi (345 bars)
Maximum pressure to cylinders	5000 psi (345 bars)
Rotator motor ports	2 x 10 JIC
Collector upper ports	2 x 12 JIC
Collector lower ports	4 x 08 ORB
Weight	455 lb (206 kg)

Reference	Dimension
A	7 3/4 in. (197 mm)
B	15 1/2 in. (394 mm)
C	7 3/4 in. (197 mm)
D	19 1/8 in. (486 mm)
E	22 7/8 in. (581 mm)
F	16 7/8 in. (429 mm)
G	22 5/8 in. (575 mm)
H	9 5/8 in. (244 mm)
I	6 1/8 in. (156 mm)
J	*
K	
L	

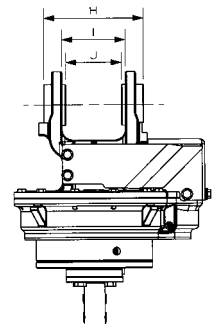
Top view



Front view



Side view



* Dimensions may vary.

no relief valve

web site: www.rotobec.com

e-mail: rotobec@rotobec.com

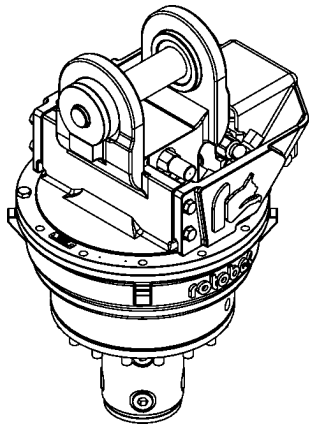
Rotobec Inc.: Head office serving OEM's and Eastern Canada
 Rotobec West: Branch serving Western Canada and Western USA
 Rotobec USA: Branch serving Eastern and Central USA

Ph: (418) 383-3002 Fax: (418) 383-5334
 Ph: (250) 765-1161 Fax: (250) 765-0035
 Ph: (603) 444-2103 Fax: (603) 444-0327



Rotator

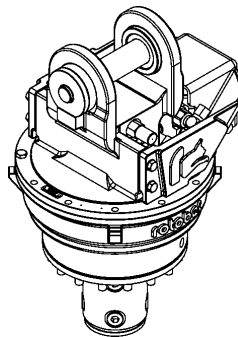
RT-502-OR4-1



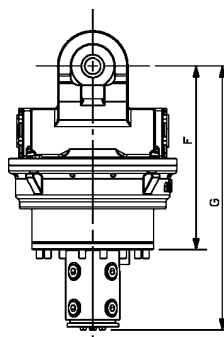
Rotator type	Continuous, sealed
Maximum lift capacity	50000 lb (22680 kg)
Torque at relief pressure	18630 in.lb (2105 Nm) @ 1450 psi (100 bars)
Speed at recommended flow	25 rpm
Recommended flow	9 gpm (34 l/min.)
Maximum pressure to motor	5000 psi (345 bars)
Maximum pressure to cylinders	5000 psi (345 bars)
Rotator motor ports	2 x 10 JIC
Collector upper ports	2 x 12 JIC
Collector lower ports	8 x 12 ORB
Weight	450 lb (204 kg)

Reference	Dimension
A	7 3/4 in. (197 mm)
B	15 1/2 in. (394 mm)
C	7 3/4 in. (197 mm)
D	19 1/4 in. (489 mm)
E	22 7/8 in. (581 mm)
F	16 7/8 in. (429 mm)
G	24 1/4 in. (616 mm)
H	9 5/8 in. (244 mm)
I	6 1/8 in. (156 mm)
J	*
K	
L	

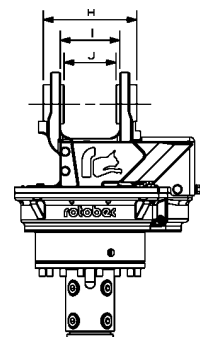
Top view



Front view



Side view



* Dimensions may vary.

web site: www.rotobec.com

e-mail: rotobec@rotobec.com

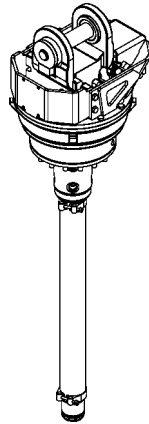
Rotobec Inc.: Head office serving OEM's and Eastern Canada
 Rotobec West: Branch serving Western Canada and Western USA
 Rotobec USA: Branch serving Eastern and Central USA

Ph: (418) 383-3002 Fax: (418) 383-5334
 Ph: (250) 765-1161 Fax: (250) 765-0035
 Ph: (603) 444-2103 Fax: (603) 444-0327



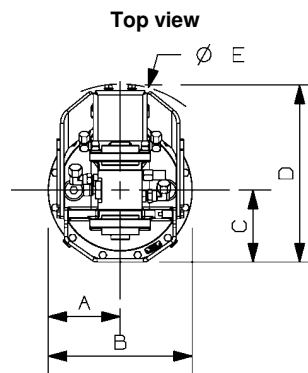
Rotator

RT-502E02-OR4-1

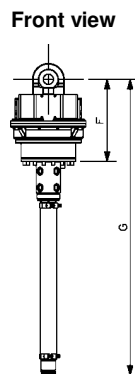


Rotator type	Continuous, sealed
Maximum lift capacity	50000 lb (22680 kg)
Torque at relief pressure	18630 in.lb (2105 Nm) @ 1450 psi (100 bars)
Speed at recommended flow	25 rpm
Recommended flow	9 gpm (34 l/min.)
Maximum pressure to motor	5000 psi (345 bars)
Maximum pressure to cylinders	5000 psi (345 bars)
Rotator motor ports	2 x 10 JIC
Collector upper ports	2 x 12 JIC
Collector lower ports	8 x 12 ORB
Weight	490 lb (222 kg)

Reference	Dimension
A	7 3/4 in. (197 mm)
B	15 1/2 in. (394 mm)
C	7 3/4 in. (197 mm)
D	19 1/4 in. (489 mm)
E	22 7/8 in. (581 mm)
F	16 7/8 in. (429 mm)
G	60 3/4 in. (1543 mm)
H	9 5/8 in. (244 mm)
I	6 1/8 in. (156 mm)
J	*
K	
L	

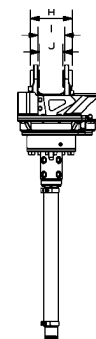


Top view



Front view

Side view



* Dimensions may vary.

web site: www.rotobec.com

e-mail: rotobec@rotobec.com

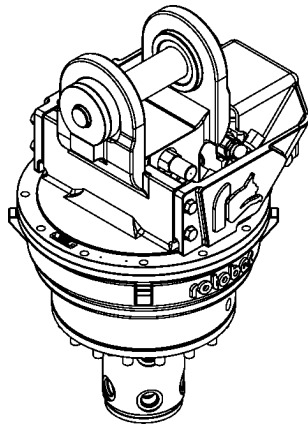
Rotobec Inc.: Head office serving OEM's and Eastern Canada
 Rotobec West: Branch serving Western Canada and Western USA
 Rotobec USA: Branch serving Eastern and Central USA

Ph: (418) 383-3002 Fax: (418) 383-5334
 Ph: (250) 765-1161 Fax: (250) 765-0035
 Ph: (603) 444-2103 Fax: (603) 444-0327



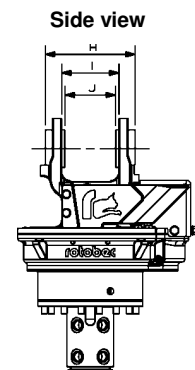
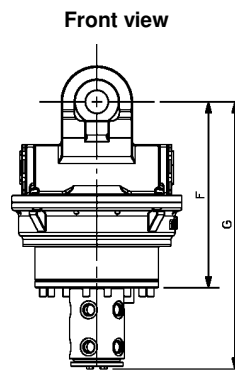
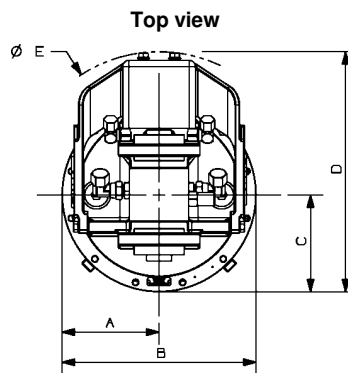
Rotator

RT-502-OR5-1



Rotator type	Continuous, sealed
Maximum lift capacity	50000 lb (22680 kg)
Torque at relief pressure	18630 in.lb (2105 Nm) @ 1450 psi (100 bars)
Speed at recommended flow	25 rpm
Recommended flow	9 gpm (34 l/min.)
Maximum pressure to motor	5000 psi (345 bars)
Maximum pressure to cylinders	5000 psi (345 bars)
Rotator motor ports	2 x 10 JIC
Collector upper ports	2 x 12 JIC
Collector lower ports	10 x 12 ORB
Weight	450 lb (204 kg)

Reference	Dimension
A	7 3/4 in. (197 mm)
B	15 1/2 in. (394 mm)
C	7 3/4 in. (197 mm)
D	19 1/4 in. (489 mm)
E	22 7/8 in. (581 mm)
F	16 7/8 in. (429 mm)
G	24 1/4 in. (616 mm)
H	9 5/8 in. (244 mm)
I	6 1/8 in. (156 mm)
J	*
K	
L	



* Dimensions may vary.

web site: www.rotobec.com

e-mail: rotobec@rotobec.com

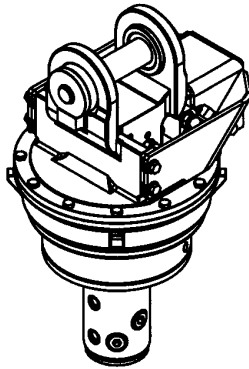
Rotobec Inc.: Head office serving OEM's and Eastern Canada
 Rotobec West: Branch serving Western Canada and Western USA
 Rotobec USA: Branch serving Eastern and Central USA

Ph: (418) 383-3002 Fax: (418) 383-5334
 Ph: (250) 765-1161 Fax: (250) 765-0035
 Ph: (603) 444-2103 Fax: (603) 444-0327



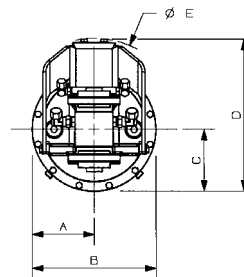
Rotator

RT-504-2



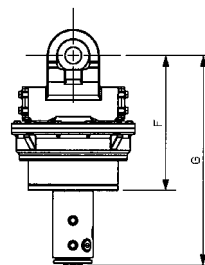
Rotator type	Continuous, sealed
Maximum lift capacity	50000 lb (22680 kg)
Torque at relief pressure	18630 in.lb (2105 Nm) @ 1450 psi (100 bars)
Speed at recommended flow	25 rpm
Recommended flow	9 gpm (34 l/min.)
Maximum pressure to motor	5000 psi (345 bars)
Maximum pressure to cylinders	5000 psi (345 bars)
Rotator motor ports	2 x 10 JIC
Collector upper ports	4 x 12 JIC
Collector lower ports	4 x 08 ORB + 3 x 12 ORB
Weight	445 lb (202 kg)

Top view

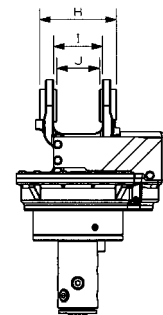


Reference	Dimension
A	7 3/4 in. (197 mm)
B	15 1/2 in. (394 mm)
C	7 3/4 in. (197 mm)
D	19 1/8 in. (486 mm)
E	22 7/8 in. (581 mm)
F	16 7/8 in. (429 mm)
G	26 1/4 in. (667 mm)
H	9 5/8 in. (244 mm)
I	6 1/8 in. (156 mm)
J	*
K	
L	

Front view



Side view



* Dimensions may vary.

web site: www.rotobec.com

e-mail: rotobec@rotobec.com

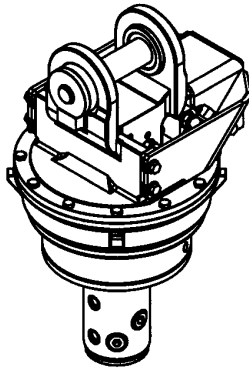
Rotobec Inc.: Head office serving OEM's and Eastern Canada
 Rotobec West: Branch serving Western Canada and Western USA
 Rotobec USA: Branch serving Eastern and Central USA

Ph: (418) 383-3002 Fax: (418) 383-5334
 Ph: (250) 765-1161 Fax: (250) 765-0035
 Ph: (603) 444-2103 Fax: (603) 444-0327



Rotator

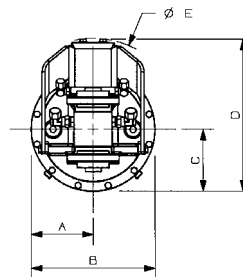
RT-504-3



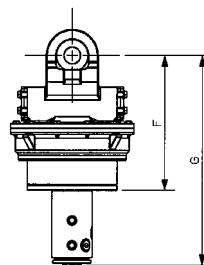
Rotator type	Continuous, sealed
Maximum lift capacity	50000 lb (22680 kg)
Torque at relief pressure	14910 in.lb (1685 Nm) @ 1160 psi (80 bars)
Speed at recommended flow	25 rpm
Recommended flow	9 gpm (34 l/min.)
Maximum pressure to motor	5000 psi (345 bars)
Maximum pressure to cylinders	5000 psi (345 bars)
Rotator motor ports	2 x 10 JIC
Collector upper ports	4 x 12 JIC
Collector lower ports	4 x 08 ORB + 3 x 12 ORB
Weight	445 lb (202 kg)

Reference	Dimension
A	7 3/4 in. (197 mm)
B	15 1/2 in. (394 mm)
C	7 3/4 in. (197 mm)
D	19 1/8 in. (486 mm)
E	22 7/8 in. (581 mm)
F	16 7/8 in. (429 mm)
G	26 1/4 in. (667 mm)
H	9 5/8 in. (244 mm)
I	6 1/8 in. (156 mm)
J	*
K	
L	

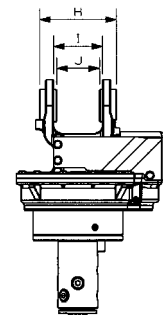
Top view



Front view



Side view



* Dimensions may vary.

web site: www.rotobec.com

Rotobec Inc.: Head office serving OEM's and Eastern Canada
 Rotobec West: Branch serving Western Canada and Western USA
 Rotobec USA: Branch serving Eastern and Central USA

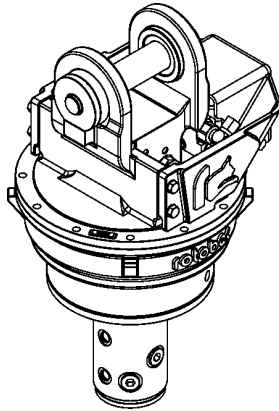
e-mail: rotobec@rotobec.com

Ph: (418) 383-3002 Fax: (418) 383-5334
 Ph: (250) 765-1161 Fax: (250) 765-0035
 Ph: (603) 444-2103 Fax: (603) 444-0327



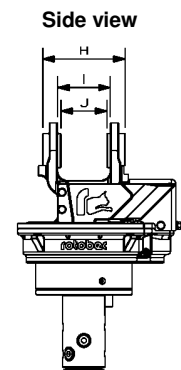
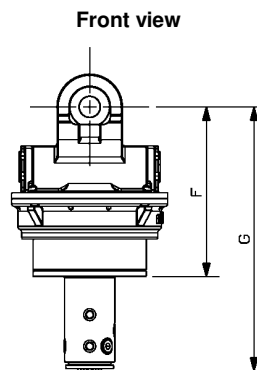
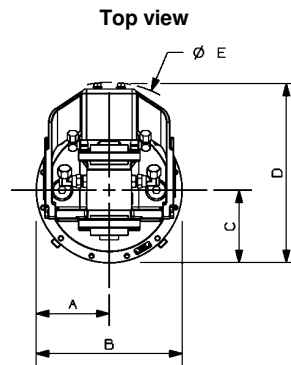
Rotator

RT-504-HT-1



Rotator type	Continuous, sealed
Maximum lift capacity	50000 lb (22680 kg)
Torque at relief pressure	23260 in.lb (2628 Nm) @ 1810 psi (125 bars)
Speed at recommended flow	25 rpm
Recommended flow	9 gpm (34 l/min.)
Maximum pressure to motor	5000 psi (345 bars)
Maximum pressure to cylinders	5000 psi (345 bars)
Rotator motor ports	2 x 10 JIC
Collector upper ports	4 x 12 JIC
Collector lower ports	4 x 08 ORB + 3 x 12 ORB
Weight	445 lb (202 kg)

Reference	Dimension
A	73 3/4 in. (1873 mm)
B	15 1/2 in. (394 mm)
C	7 3/4 in. (197 mm)
D	19 in. (483 mm)
E	22 7/8 in. (581 mm)
F	16 7/8 in. (429 mm)
G	26 1/4 in. (667 mm)
H	9 5/8 in. (244 mm)
I	6 1/8 in. (156 mm)
J	*
K	
L	



* Dimensions may vary.

web site: www.rotobec.com

e-mail: rotobec@rotobec.com

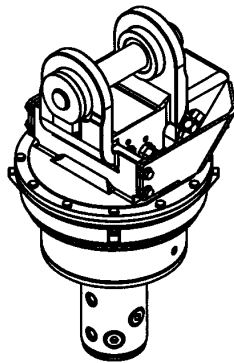
Rotobec Inc.: Head office serving OEM's and Eastern Canada
 Rotobec West: Branch serving Western Canada and Western USA
 Rotobec USA: Branch serving Eastern and Central USA

Ph: (418) 383-3002 Fax: (418) 383-5334
 Ph: (250) 765-1161 Fax: (250) 765-0035
 Ph: (603) 444-2103 Fax: (603) 444-0327



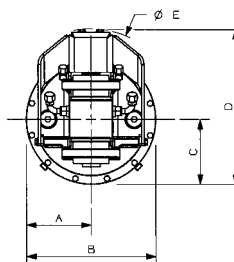
Rotator

RT-1002-STD-1



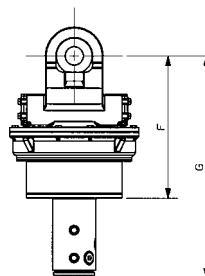
Rotator type	Continuous, sealed
Maximum lift capacity	100000 lb (45360 kg)
Torque at relief pressure	22360 in.lb (2527 Nm) @ 1450 psi (100 bars)
Speed at recommended flow	20 rpm
Recommended flow	8 gpm (30 l/min.)
Maximum pressure to motor	5000 psi (345 bars)
Maximum pressure to cylinders	5000 psi (345 bars)
Rotator motor ports	2 x 10 JIC
Collector upper ports	2 x 12 JIC
Collector lower ports	2 x 10 ORB
Weight	655 lb (297 kg)

Top view

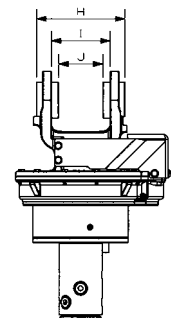


Reference	Dimension
A	9 in. (229 mm)
B	18 in. (457 mm)
C	9 in. (229 mm)
D	21 1/2 in. (546 mm)
E	25 1/4 in. (641 mm)
F	19 3/4 in. (502 mm)
G	30 7/8 in. (784 mm)
H	12 1/4 in. (311 mm)
I	8 1/8 in. (206 mm)
J	*
K	
L	

Front view



Side view



* Dimensions may vary.

web site: www.rotobec.com

e-mail: rotobec@rotobec.com

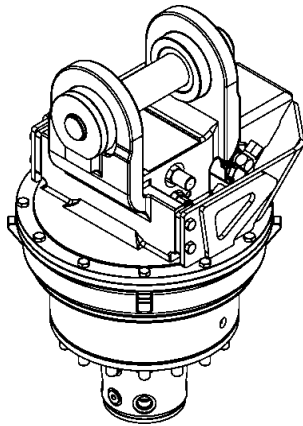
Rotobec Inc.: Head office serving OEM's and Eastern Canada
 Rotobec West: Branch serving Western Canada and Western USA
 Rotobec USA: Branch serving Eastern and Central USA

Ph: (418) 383-3002 Fax: (418) 383-5334
 Ph: (250) 765-1161 Fax: (250) 765-0035
 Ph: (603) 444-2103 Fax: (603) 444-0327



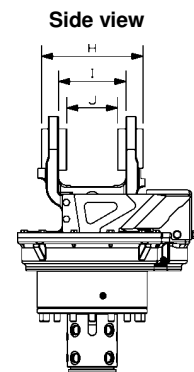
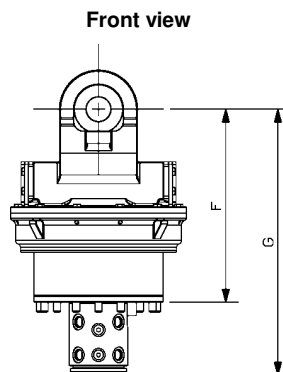
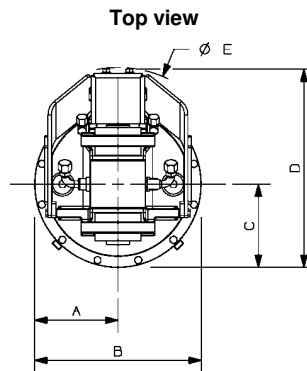
Rotator

RT-1002-OR4-2



Rotator type	Continuous, sealed
Maximum lift capacity	100000 lb (45360 kg)
Torque at relief pressure	22360 in.lb (2527 Nm) @ 1450 psi (100 bars)
Speed at recommended flow	20 rpm
Recommended flow	8 gpm (30 l/min.)
Maximum pressure to motor	5000 psi (345 bars)
Maximum pressure to cylinders	5000 psi (345 bars)
Rotator motor ports	2 x 10 JIC
Collector upper ports	2 x 16 JIC
Collector lower ports	8 x 12 ORB
Weight	655 lb (297 kg)

Reference	Dimension
A	9 in. (229 mm)
B	18 in. (457 mm)
C	9 in. (229 mm)
D	21 1/2 in. (546 mm)
E	25 1/4 in. (641 mm)
F	19 3/4 in. (502 mm)
G	27 1/4 in. (692 mm)
H	12 1/4 in. (311 mm)
I	8 1/8 in. (206 mm)
J	*
K	
L	



* Dimensions may vary.

web site: www.rotobec.com

e-mail: rotobec@rotobec.com

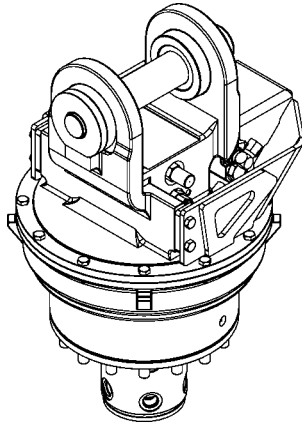
Rotobec Inc.: Head office serving OEM's and Eastern Canada
 Rotobec West: Branch serving Western Canada and Western USA
 Rotobec USA: Branch serving Eastern and Central USA

Ph: (418) 383-3002 Fax: (418) 383-5334
 Ph: (250) 765-1161 Fax: (250) 765-0035
 Ph: (603) 444-2103 Fax: (603) 444-0327



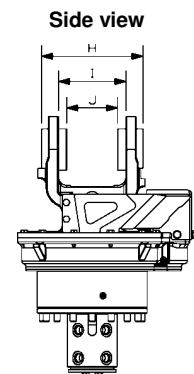
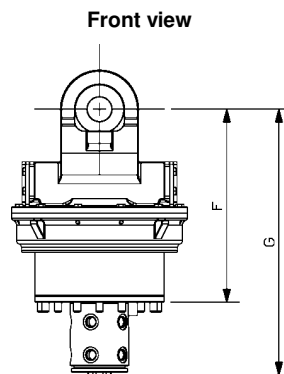
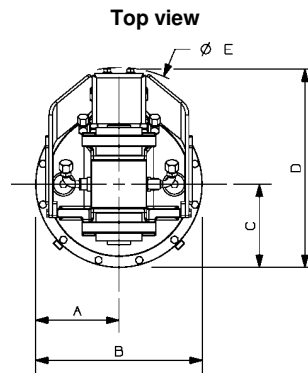
Rotator

RT-1002-OR5-2



Rotator type	Continuous, sealed
Maximum lift capacity	100000 lb (45360 kg)
Torque at relief pressure	22360 in.lb (2527 Nm) @ 1450 psi (100 bars)
Speed at recommended flow	20 rpm
Recommended flow	8 gpm (30 l/min.)
Maximum pressure to motor	5000 psi (345 bars)
Maximum pressure to cylinders	5000 psi (345 bars)
Rotator motor ports	2 x 10 JIC
Collector upper ports	2 x 16 JIC
Collector lower ports	10 x 12 ORB
Weight	655 lb (297 kg)

Reference	Dimension
A	9 in. (229 mm)
B	18 in. (457 mm)
C	9 in. (229 mm)
D	21 1/2 in. (546 mm)
E	25 1/4 in. (641 mm)
F	19 3/4 in. (502 mm)
G	27 1/4 in. (692 mm)
H	12 1/4 in. (311 mm)
I	8 1/8 in. (206 mm)
J	*
K	
L	



* Dimensions may vary.

web site: www.rotobec.com

e-mail: rotobec@rotobec.com

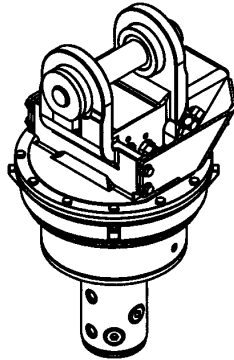
Rotobec Inc.: Head office serving OEM's and Eastern Canada
 Rotobec West: Branch serving Western Canada and Western USA
 Rotobec USA: Branch serving Eastern and Central USA

Ph: (418) 383-3002 Fax: (418) 383-5334
 Ph: (250) 765-1161 Fax: (250) 765-0035
 Ph: (603) 444-2103 Fax: (603) 444-0327



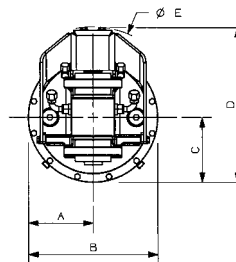
Rotator

RT-1004-2



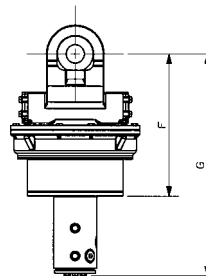
Rotator type	Continuous, sealed
Maximum lift capacity	100000 lb (45360 kg)
Torque at relief pressure	22360 in.lb (2527 Nm) @ 1450 psi (100 bars)
Speed at recommended flow	20 rpm
Recommended flow	8 gpm (30 l/min.)
Maximum pressure to motor	5000 psi (345 bars)
Maximum pressure to cylinders	5000 psi (345 bars)
Rotator motor ports	2 x 10 JIC
Collector upper ports	4 x 12 JIC
Collector lower ports	4 x 10 ORB + 3 x 16 ORB
Weight	685 lb (311 kg)

Top view

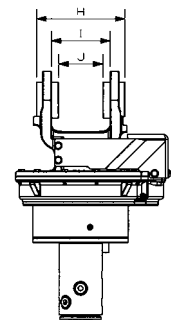


Reference	Dimension
A	9 in. (229 mm)
B	18 in. (457 mm)
C	9 in. (229 mm)
D	21 1/2 in. (546 mm)
E	25 1/4 in. (641 mm)
F	19 3/4 in. (502 mm)
G	30 7/8 in. (784 mm)
H	12 1/4 in. (311 mm)
I	8 1/8 in. (206 mm)
J	*
K	
L	

Front view



Side view



* Dimensions may vary.

web site: www.rotobec.com

e-mail: rotobec@rotobec.com

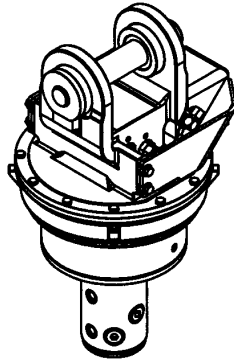
Rotobec Inc.: Head office serving OEM's and Eastern Canada
 Rotobec West: Branch serving Western Canada and Western USA
 Rotobec USA: Branch serving Eastern and Central USA

Ph: (418) 383-3002 Fax: (418) 383-5334
 Ph: (250) 765-1161 Fax: (250) 765-0035
 Ph: (603) 444-2103 Fax: (603) 444-0327



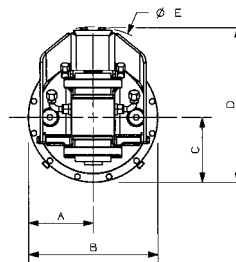
Rotator

RT-1004-3



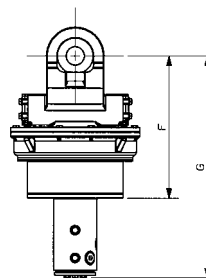
Rotator type	Continuous, sealed
Maximum lift capacity	100000 lb (45360 kg)
Torque at relief pressure	14910 in.lb (1685 Nm) @ 1160 psi (80 bars)
Speed at recommended flow	20 rpm
Recommended flow	8 gpm (30 l/min.)
Maximum pressure to motor	5000 psi (345 bars)
Maximum pressure to cylinders	5000 psi (345 bars)
Rotator motor ports	2 x 10 JIC
Collector upper ports	4 x 12 JIC
Collector lower ports	4 x 10 ORB + 3 x 16 ORB
Weight	685 lb (311 kg)

Top view

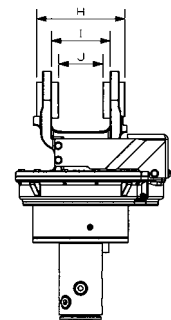


Reference	Dimension
A	9 in. (229 mm)
B	18 in. (457 mm)
C	9 in. (229 mm)
D	21 1/2 in. (546 mm)
E	25 1/4 in. (641 mm)
F	19 3/4 in. (502 mm)
G	30 7/8 in. (784 mm)
H	12 1/4 in. (311 mm)
I	8 1/8 in. (206 mm)
J	*
K	
L	

Front view



Side view



* Dimensions may vary.

web site: www.rotobec.com

e-mail: rotobec@rotobec.com

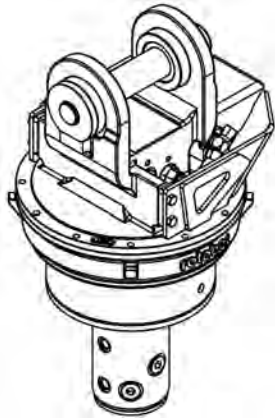
Rotobec Inc.: Head office serving OEM's and Eastern Canada
 Rotobec West: Branch serving Western Canada and Western USA
 Rotobec USA: Branch serving Eastern and Central USA

Ph: (418) 383-3002 Fax: (418) 383-5334
 Ph: (250) 765-1161 Fax: (250) 765-0035
 Ph: (603) 444-2103 Fax: (603) 444-0327



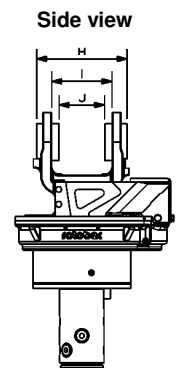
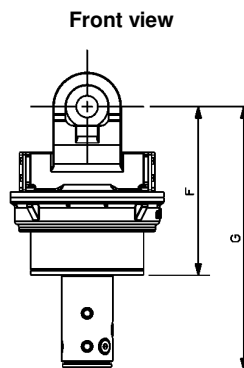
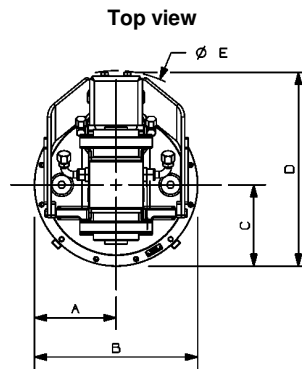
Rotator

RT-1004-HT-1



Rotator type	Continuous, sealed
Maximum lift capacity	100000 lb (45360 kg)
Torque at relief pressure	27910 in.lb (3154 Nm) @ 1810 psi (125 bars)
Speed at recommended flow	20 rpm
Recommended flow	8 gpm (30 l/min.)
Maximum pressure to motor	5000 psi (345 bars)
Maximum pressure to cylinders	5000 psi (345 bars)
Rotator motor ports	2 x 10 JIC
Collector upper ports	4 x 12 JIC
Collector lower ports	4 x 10 ORB + 3 x 16 ORB
Weight	685 lb (311 kg)

Reference	Dimension
A	9 in. (229 mm)
B	18 in. (457 mm)
C	9 in. (229 mm)
D	21 1/2 in. (546 mm)
E	25 1/4 in. (641 mm)
F	19 3/4 in. (502 mm)
G	30 7/8 in. (784 mm)
H	12 1/4 in. (311 mm)
I	8 1/8 in. (206 mm)
J	*
K	
L	



* Dimensions may vary.

web site: www.rotobec.com

e-mail: rotobec@rotobec.com

Rotobec Inc.: Head office serving OEM's and Eastern Canada
 Rotobec West: Branch serving Western Canada and Western USA
 Rotobec USA: Branch serving Eastern and Central USA

Ph: (418) 383-3002 Fax: (418) 383-5334
 Ph: (250) 765-1161 Fax: (250) 765-0035
 Ph: (603) 444-2103 Fax: (603) 444-0327