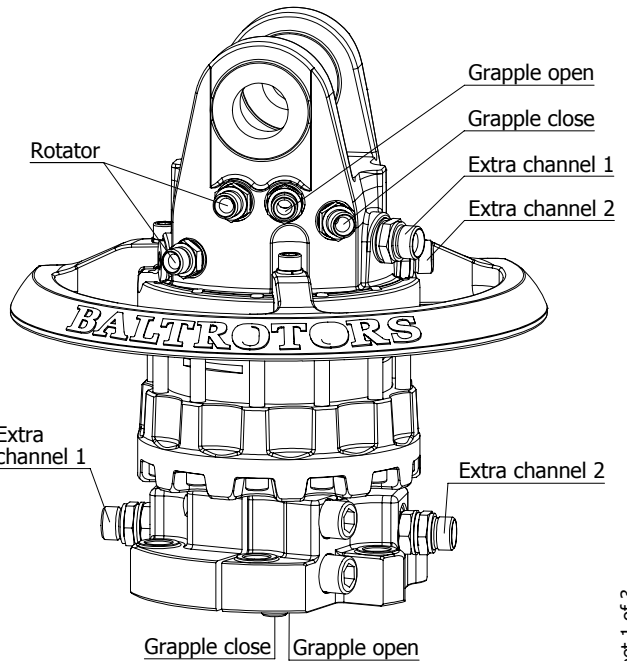
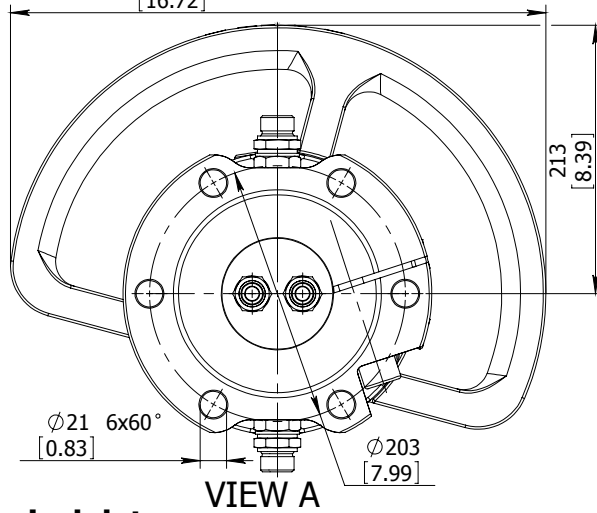
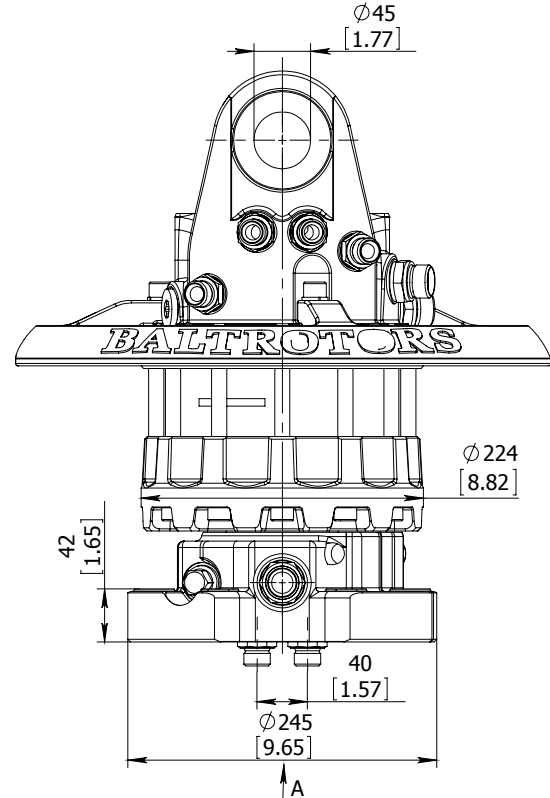
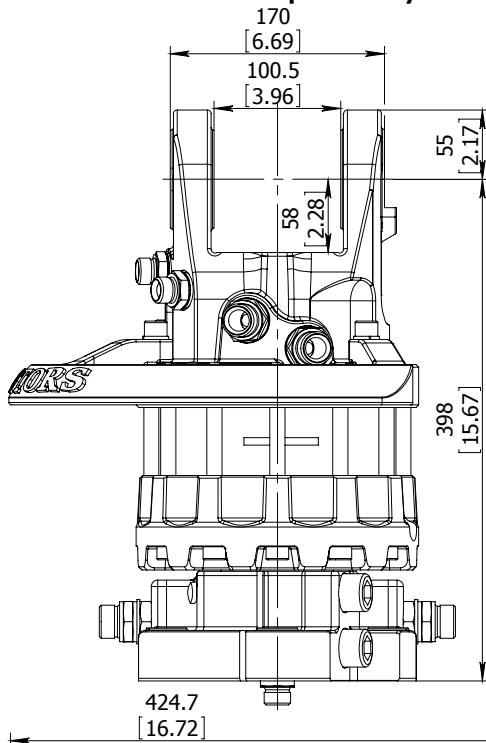


ROTATOR GRS16S203

Specially designed for grapple saw



Technical data

Rotation	Unlimited
Max axial load static, KN (lbf)	+160 (35976) - 90 (20236)
Max axial load dynamic, KN (lbf)	+80 (17988) - 45 (10118)
Torque at 25Mpa (3625psi), Nm (lb ft)	3400 (2500)
Rec oilflow, l/min (US gallon)	40 (10.6)
Weight, kg (lb)	83 (183)

Max working pressure:

Rotator	←R→ Max 25 MPa (3625 psi) G 1/2"
Grapple / Tool open	←G→ Max 20 MPa (2900 psi) G 1/2"
Grapple / Tool close	→G← Max 30 MPa (4350 psi) G 1/2"
Extra oil function	1 2 Max 30 MPa (4350 psi) G 3/4"

Connection:

