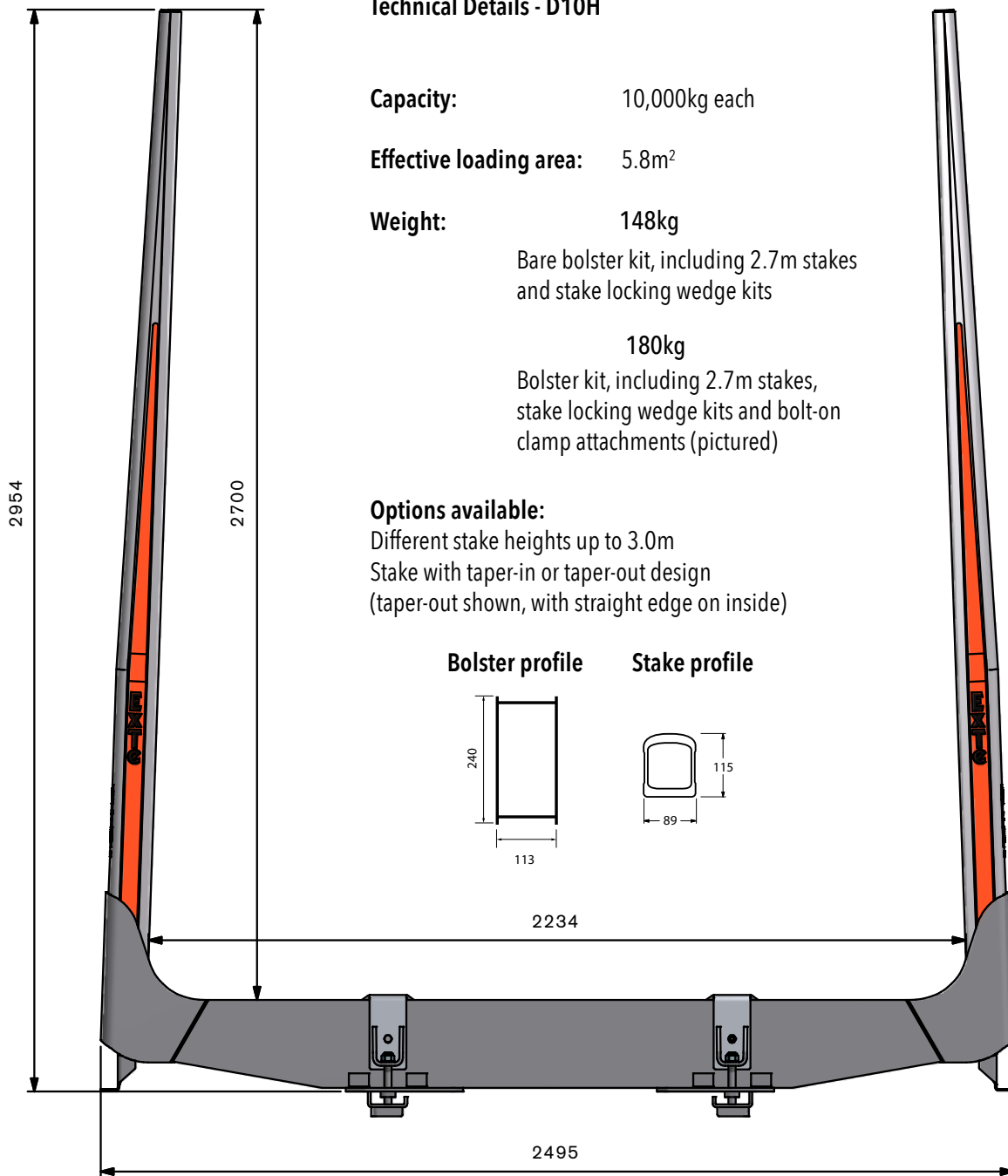


D-Series

D10H Data Sheet



Technical Details - D10H

Capacity: 10,000kg each

Effective loading area: 5.8m²

Weight: 148kg

Bare bolster kit, including 2.7m stakes and stake locking wedge kits

180kg

Bolster kit, including 2.7m stakes, stake locking wedge kits and bolt-on clamp attachments (pictured)

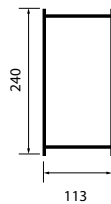
Options available:

Different stake heights up to 3.0m

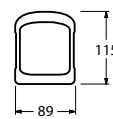
Stake with taper-in or taper-out design

(taper-out shown, with straight edge on inside)

Bolster profile

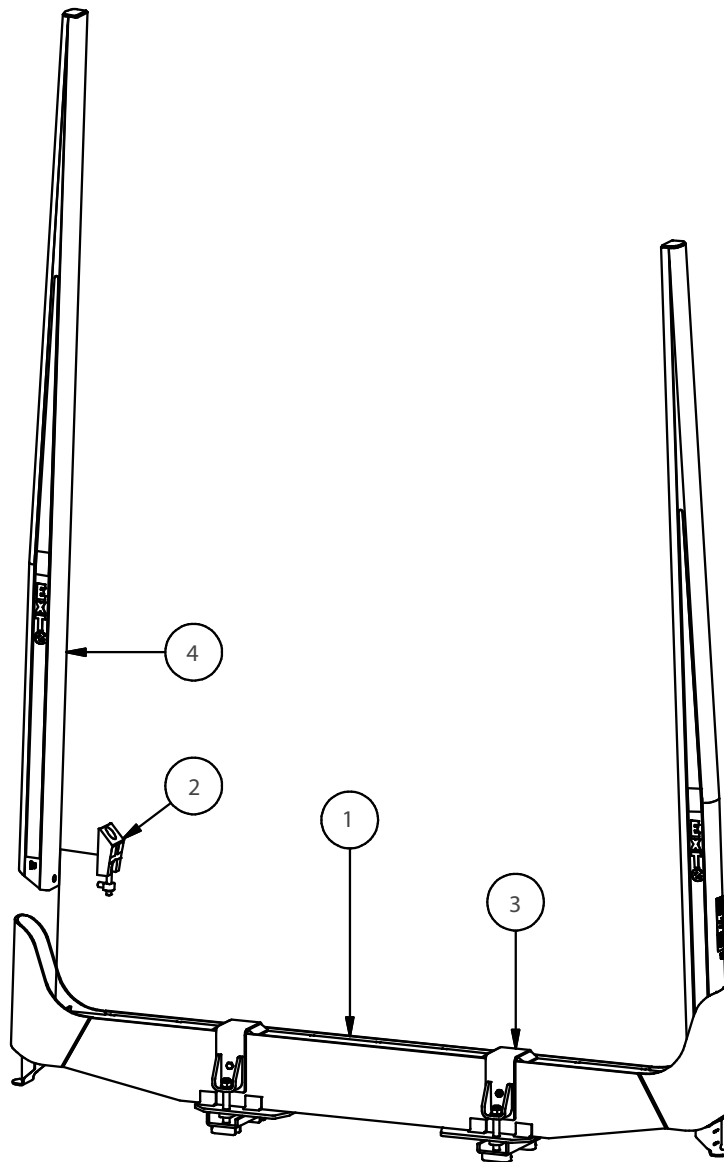


Stake profile



ExTe

Securing cargo. We invented the Concept.



POS.	QTY	PART NO	DESCRIPTION
1	1	810430	BOLSTER
2	2	810196	LOCKING WEDGE
3	2	800772	MOUNTING ATTACHMENT
4	2	801763	STAKE D10 2.7m

Other stake lengths available on request

ExTe

Securing cargo. We invented the Concept.